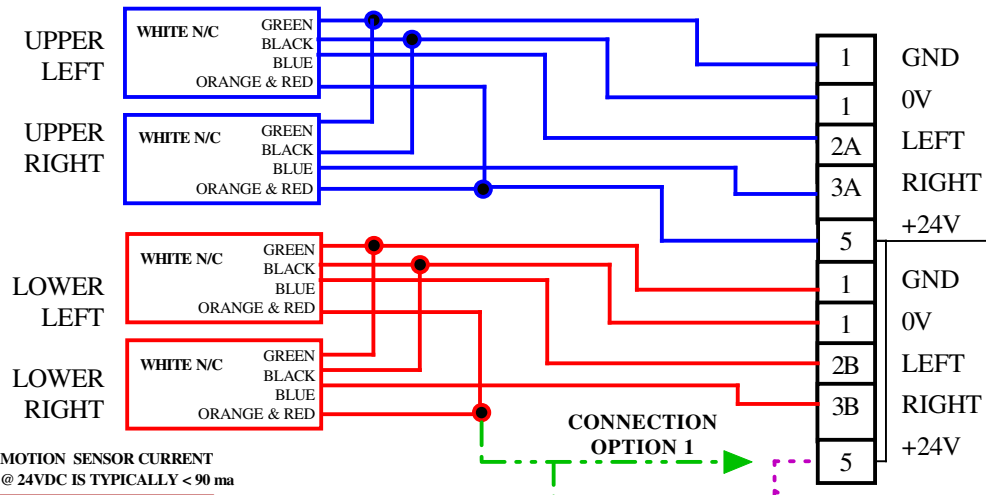


MOTION SENSORS WDA3V34CAI

CONNECT THE ORANGE WIRE TO +24 (RED WIRE)
INSULATE THE WHITE WIRE.



Watchdog
With WDA3 Belt Alignment
Sensors and Bearing
Temperature Sensors

UPPER MOTION SENSORS

SUPPLY PROTECTED BY F1 @ 200ma MAX (INTERNAL LINK)

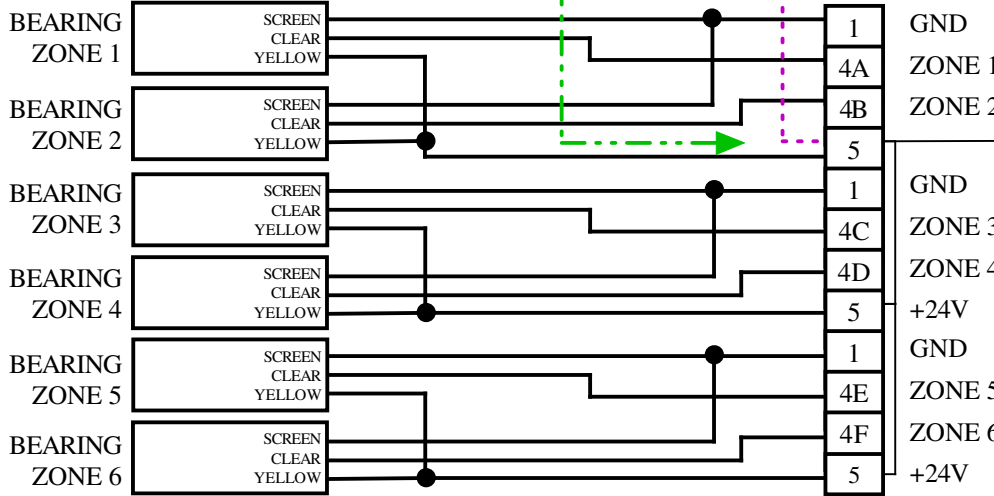
LOWER MOTION SENSORS

**** LINK BOTH TERMINALS FOR A 400ma SUPPLY TO THE SENSORS**

MOTION SENSOR CURRENT @ 24VDC IS TYPICALLY < 90 ma
BEARING SENSOR CURRENT @ 24VDC IS TYPICALLY < 8 ma

CONNECTION OPTION 1
CONNECTION OPTION 2
SEE WARNING BELOW

BEARING TEMPERATURE SENSORS

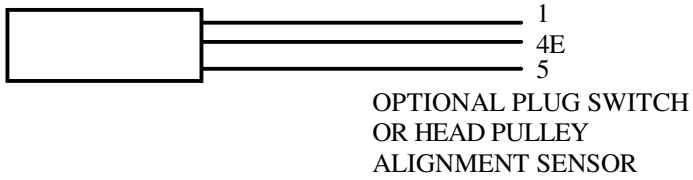
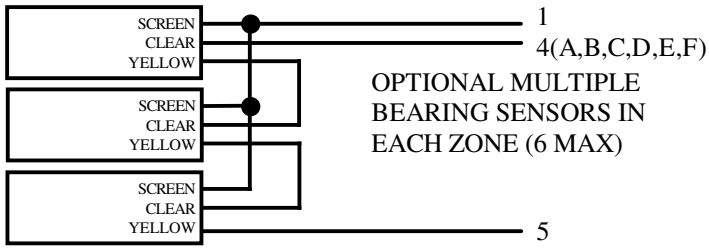


HOT BEARING SENSORS

SUPPLY PROTECTED BY F2 @ 200ma MAX (INTERNAL LINK)

HOT BEARING SENSORS

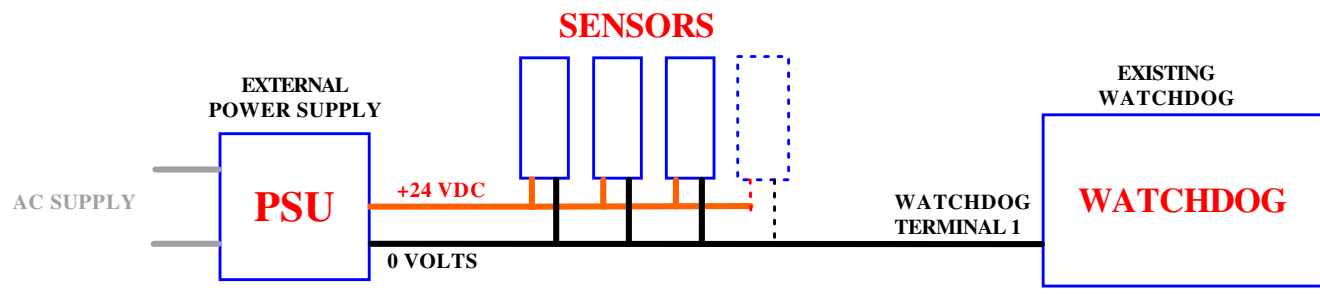
HOT BEARING SENSORS



WARNING:
WHEN USING FOUR MOTION SENSORS CONNECT THE UPPER SENSORS TO TERMINAL 5 (F1) AND THE LOWER SENSORS TO TERMINAL 5 (F2).

**** ALTERNATIVELY, CONNECT TERMINAL 5(F1) AND TERMINAL 5(F2) TOGETHER TO INCREASE THE AVAILABLE CURRENT TO 400ma**

The maximum permitted current for the Watchdog is 400ma. This is a requirement of the CSA standard under which the unit operates. If the sensors used requires a supply which is greater than 400ma in total, it is necessary to use an external CSA approved power supply.



THIS SKETCH IS AN EXAMPLE OF HOW TO CONNECT AN EXTERNAL POWER SUPPLY TO THE SENSORS.