



**BRAIME ELEVATOR  
COMPONENTS LTD.**  
England, LS10 1JZ  
Telephone: (0113)2457491  
Fax: (0113)2435021  
Web: www.braille.com  
e-mail: elevators@braille.co.uk



**SETEM**  
9, route de Corbie  
80800 LAMOTTE WARFUSEE  
Tél : (33) 03 22 42 32 26  
Fax : (33) 03 22 42 37 33  
Email : setem@aol.com  
www.braille.com/setem



**BRAIME ELEVATOR  
COMPONENTS LTD.**  
England, LS10 1JZ  
Telephone: (0113)2457491  
Fax: (0113)2435021  
Web: www.braille.com  
e-mail: elevators@braille.co.uk

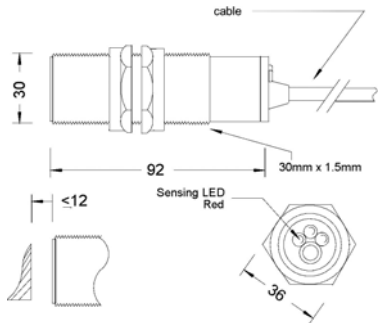


**SETEM**  
9, route de Corbie  
80800 LAMOTTE WARFUSEE  
Tél : (33) 03 22 42 32 26  
Fax : (33) 03 22 42 37 33  
Email : setem@aol.com  
www.braille.com/setem

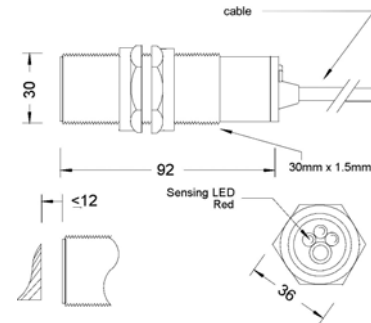
## ATEX Approved Proximity Sensor Type: P300V34AI Code: 884-048

## ATEX Approved Proximity Sensor Type: P300V34AI Code: 884-048

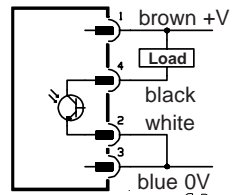
### Dimensions - mm



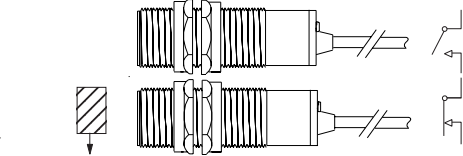
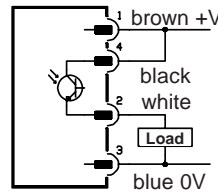
### Dimensions - mm



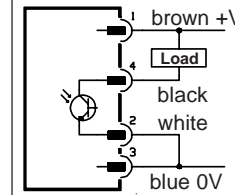
### Connections:- npn connection



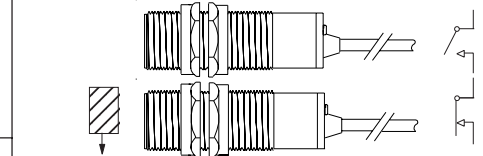
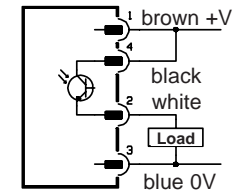
### pnp connection



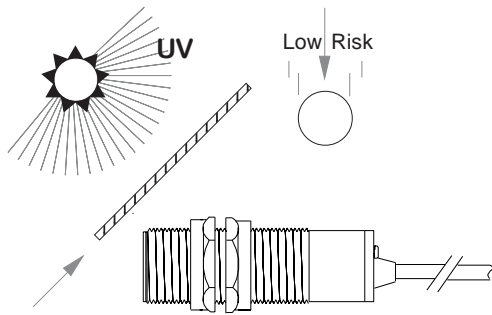
### Connections:- npn connection



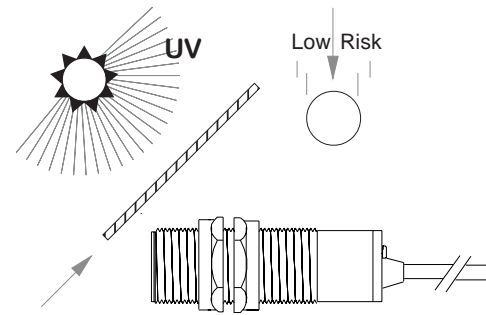
### pnp connection



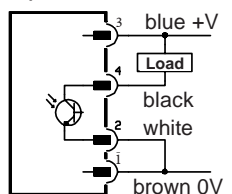
### Protection



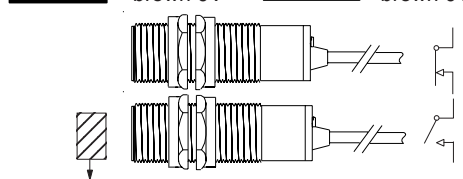
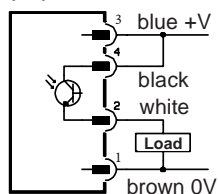
### Protection



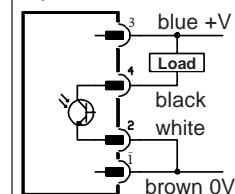
### npn connection



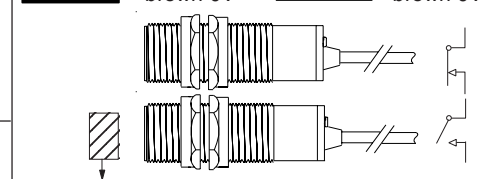
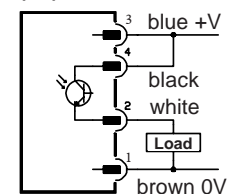
### pnp connection



### npn connection



### pnp connection



### Approval



### Approval



Approval No:  
**IECEXBAS04.0034X**  
TA100°C DIP A20

II 1D T100°C Tamb -15°C to +50°C IP65

**Baseefa03ATEX0674X**

### Specification

Supply V ..... 10-30V dc.  
Output ..... Opto-isolated  
transistor, npn or  
pnp use.  
Output Rating ... 100 mA 30V dc max.  
Max. Speed ..... 200 Hz.

->P300V34AIMAN 644-084(A)

Approval No:  
**IECEXBAS04.0034X**  
TA100°C DIP A20

II 1D T100°C Tamb -15°C to +50°C IP65

**Baseefa03ATEX0674X**

### Specification

Supply V ..... 10-30V dc.  
Output ..... Opto-isolated  
transistor, npn or  
pnp use.  
Output Rating ... 100 mA 30V dc max.  
Max. Speed ..... 200 Hz.

->P300V34AIMAN 644-084(A)