



BRAIME ELEVATOR COMPONENTS LTD.

England, LS10 1JZ
Telephone: (0113)2457491
Fax: (0113)2435021
Web: www.braime.com
e-mail: information@braime.co.uk



SETEM

9, route de Corbie
80800 LAMOTTE WARFUSEE
Tél : (33) 03 22 42 32 26
Fax : (33) 03 22 42 37 33
Email : setem@aol.com
www .braime.com /setem



BRAIME ELEVATOR COMPONENTS LTD.

England, LS10 1JZ
Telephone: (0113)2457491
Fax: (0113)2435021
Web: www.braime.com
e-mail: information@braime.co.uk

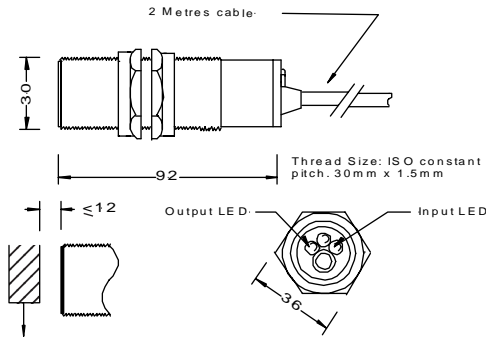


SETEM

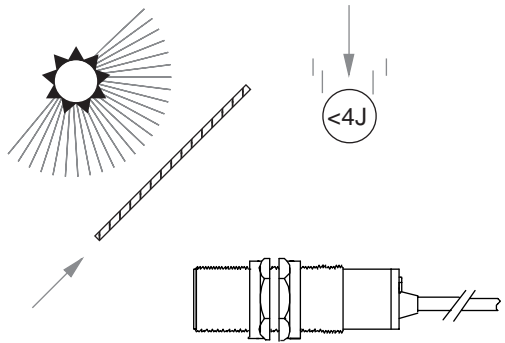
9, route de Corbie
80800 LAMOTTE WARFUSEE
Tél : (33) 03 22 42 32 26
Fax : (33) 03 22 42 37 33
Email : setem@aol.com
www .braime.com /setem

ATEX Approved Proximity Sensor Type: P3001V10A

Dimensions - mm



Protection



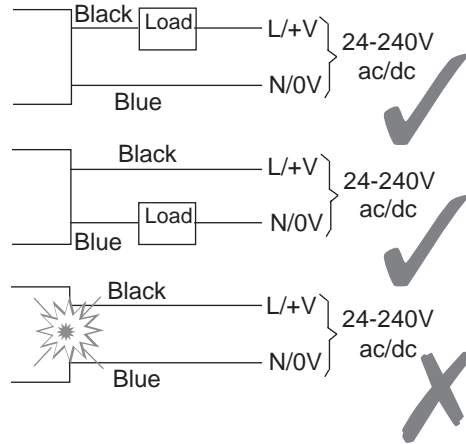
Approval



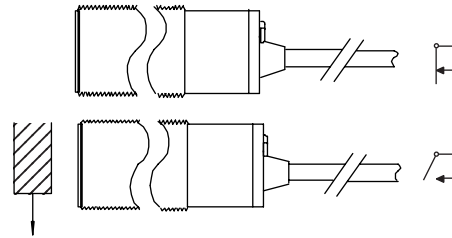
Approval No:
BAS01ATEX2401X

Category:
II 2D T100°C Tamb -15°C to +50°C IP65

Connections



Output Mode



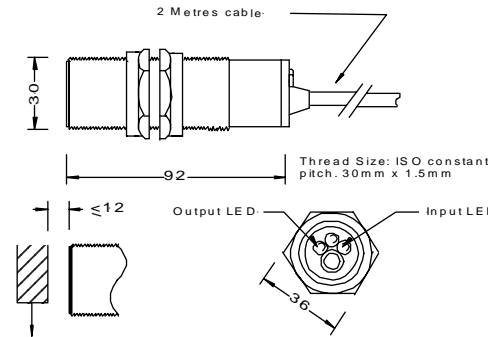
Specification

Supply V 24-240V ac/dc.
I. min 1.6 mA.
V. drop 8V max.
Output Rating .. 200 mA max.
Max. Speed 100 Hz.

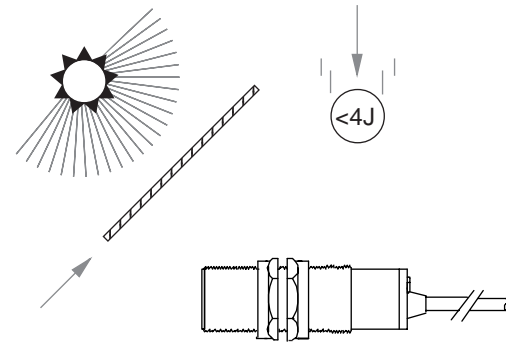
->P3001MAN 644-037(A)

ATEX Approved Proximity Sensor Type: P3002V10A

Dimensions - mm



Protection



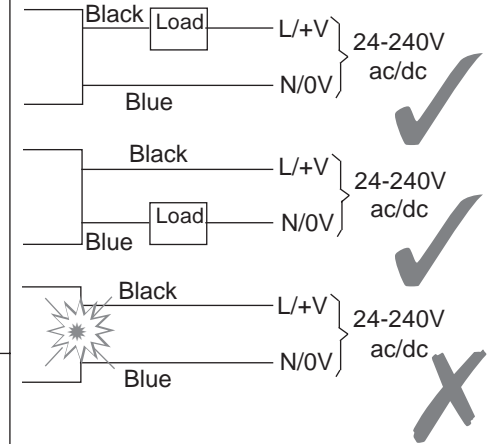
Approval



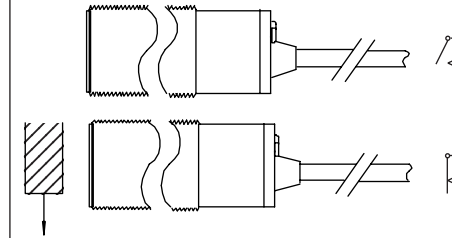
Approval No:
BAS01ATEX2401X

Category:
II 2D T100°C Tamb -15°C to +50°C IP65

Connections



Output Mode



Specification

Supply V 24-240V ac/dc.
I. min 1.6 mA.
V. drop 8V max.
Output Rating .. 200 mA max.
Max. Speed 100 Hz.

->P3002MAN 644-038(A)