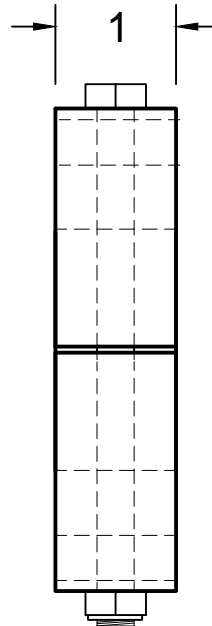
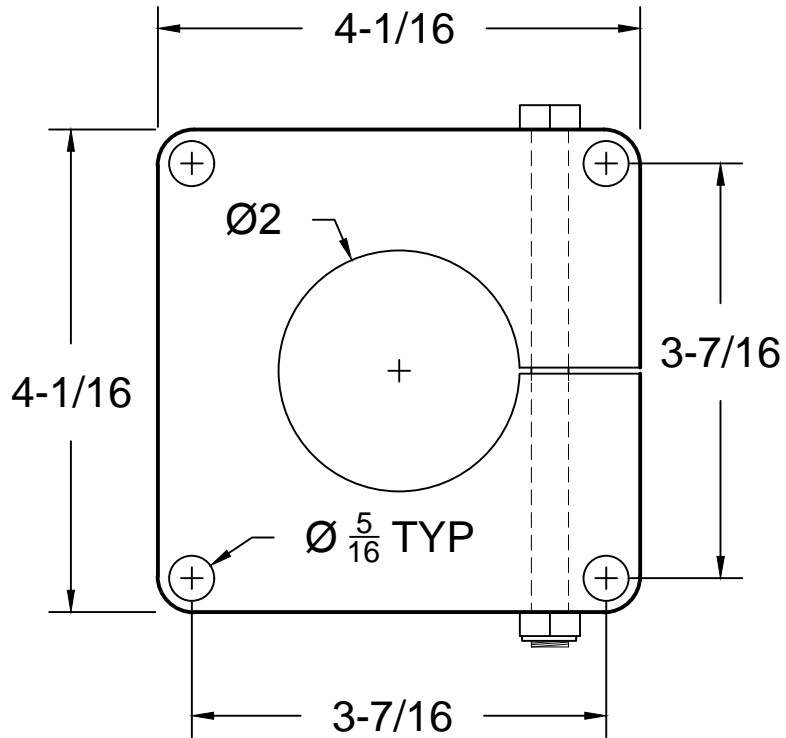
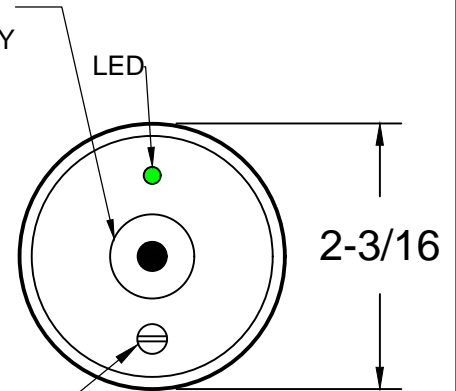


9 ft Long Cable
6 x 22 AWG Conductors
5.5 mm Overall Jacket diameter

1/2" NPT
THREADED ENTRY



Note:
All dimensions in inches.



www.go4b.com/usa
625 Erie Avenue - Morton, IL 61550 USA
Tel: 309-698-5611 Fax: 309-698-5615

Customer:	
N/A	
Description: WDA3V34C MOTION ALIGNMENT SENSOR WITH INCLUDED MOUNTING BLOCK. 12-24 VDC CSA APPROVED CLASS II DIV I GROUPS E, F, AND G.	
Sales Order #	Scale:
N/A	NTS

Change Note	Rev	Date	Drawn	Check	Brief Description

Drawn By: DAVID BYARD	Checked By: JOHNNY WHEAT	Drawing #	Rev:
Date: 06/10/2009	Date: 09/25/2009	WDA3V34C	0