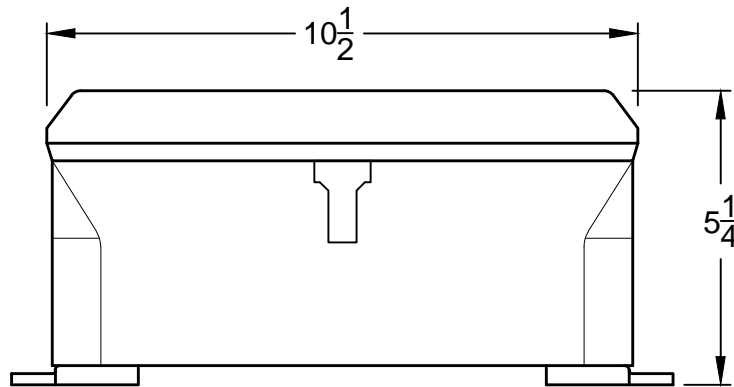
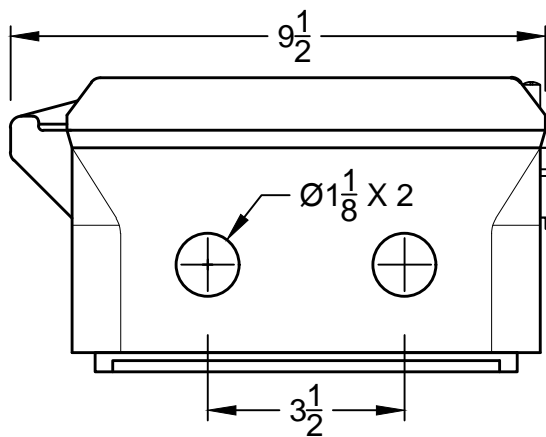


**NOTE:**  
ALL DIMENSIONS IN INCHES.



625 Erie Avenue - Morton, IL 61550 USA  
Tel: 309-698-5611 Fax: 309-698-5615

CUSTOMER:

DESCRIPTION:  
WATCHDOG SUPER ELITE  
ENCLOSURE  
#WDC4V46C or #WDC4V4C

SO #

PO #

SCALE:

DRAWN: CM

CHECKED: JW

DRAWING #

NTS

REV:

DATE: 02/17/2016

DATE: 02/17/2016

WDC4

0

CHANGE NOTE	REV	DATE	DRAWN	CHECK	DESCRIPTION