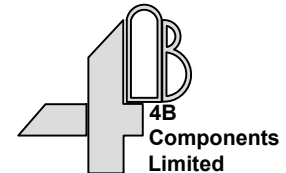
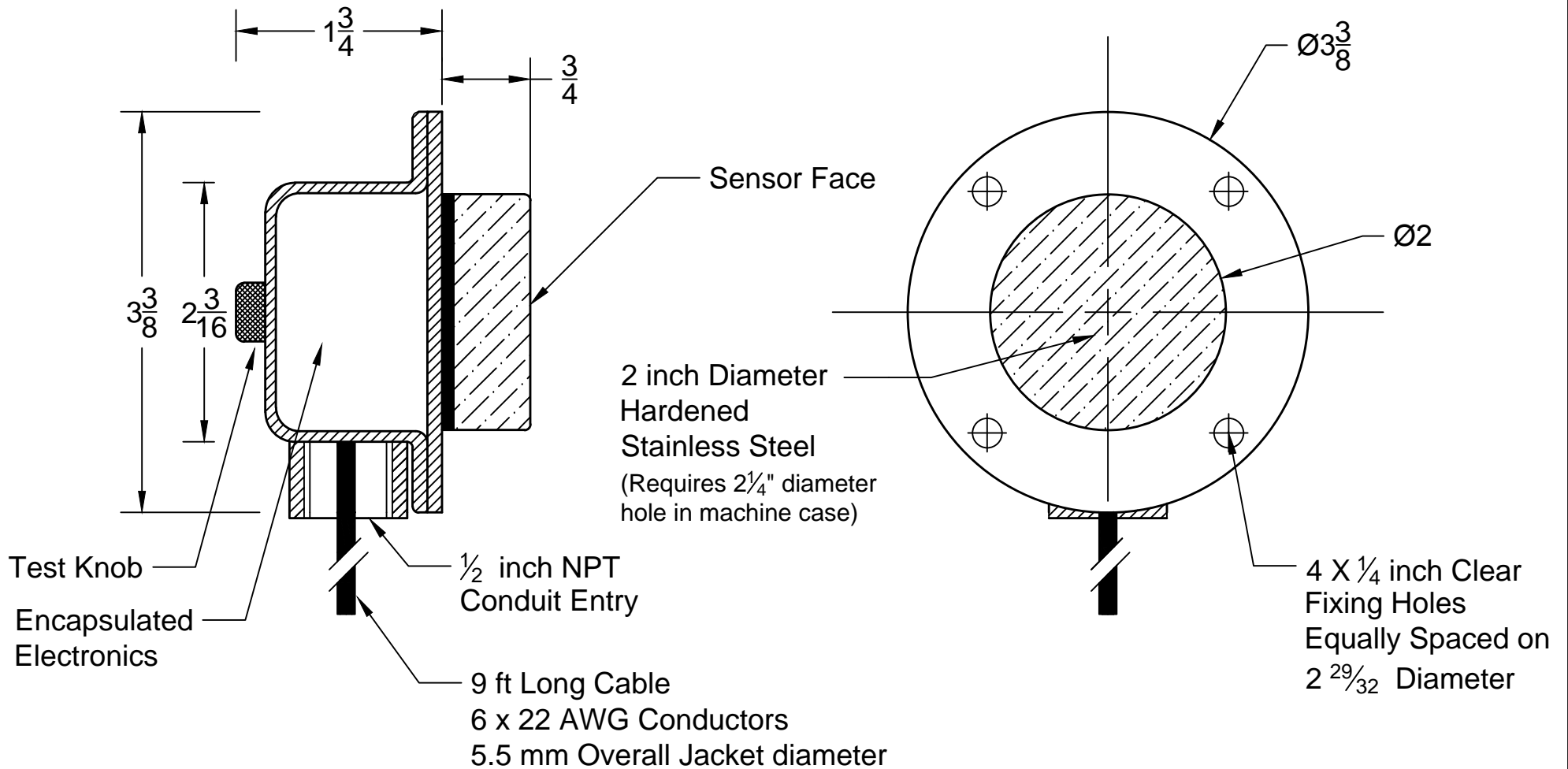


**Note:**

All dimensions in inches.



[www.go4b.com/usa](http://www.go4b.com/usa)

625 Erie Avenue - Morton, IL 61550 USA  
Tel: 309-698-5611 Fax: 309-698-5615

Customer:	
N/A	
Description: TS2V3C AND TS2V4C TOUCHSWITCH, BELT ALIGNMENT SENSORS.	
Sales Order #	Scale:
N/A	NTS
Drawn By: DAVID BYARD	Checked By: JOHNNY WHEAT
Date: 05/05/2009	Date: 09/25/2009
Drawing #	Rev:
TS2V3C & TS2V4C	0

Change Note	Rev	Date	Drawn	Check	Brief Description