
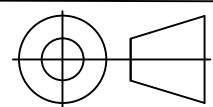


UNLESS OTHERWISE SPECIFIED	PROPRIETARY AND CONFIDENTIAL	 625 ERIE AVENUE MORTON, IL, USA GO4B.COM	
DIMENSIONS ARE IN INCHES	THE INFORMATION CONTAINED IN THIS DRAWING IS THE SOLE PROPERTY OF 4B COMPONENTS LTD. ANY REPRODUCTION IN PART OR AS A WHOLE WITHOUT PERMISSION IS PROHIBITED.	TITLE Milli-Vib 4-20 mA Vibration Transmitter	
TOLERANCES: X OR X/X = ± 1/32 X.X = ± .020 X.XX = ± .010 X.XXX = ± .005 ANGULAR = ± .5°		MATERIAL	
BREAK ALL SHARP EDGES TO .01" X 45° AND REMOVE ALL BURRS	 THIRD ANGLE PROJECTION	SIZE B	DWG NO _____
DO NOT SCALE DRAWING	CHECKED BK 5/15/2024 DRAWN HR 5/14/2024	SCALE 1:2	REV _____ SHEET 1/1