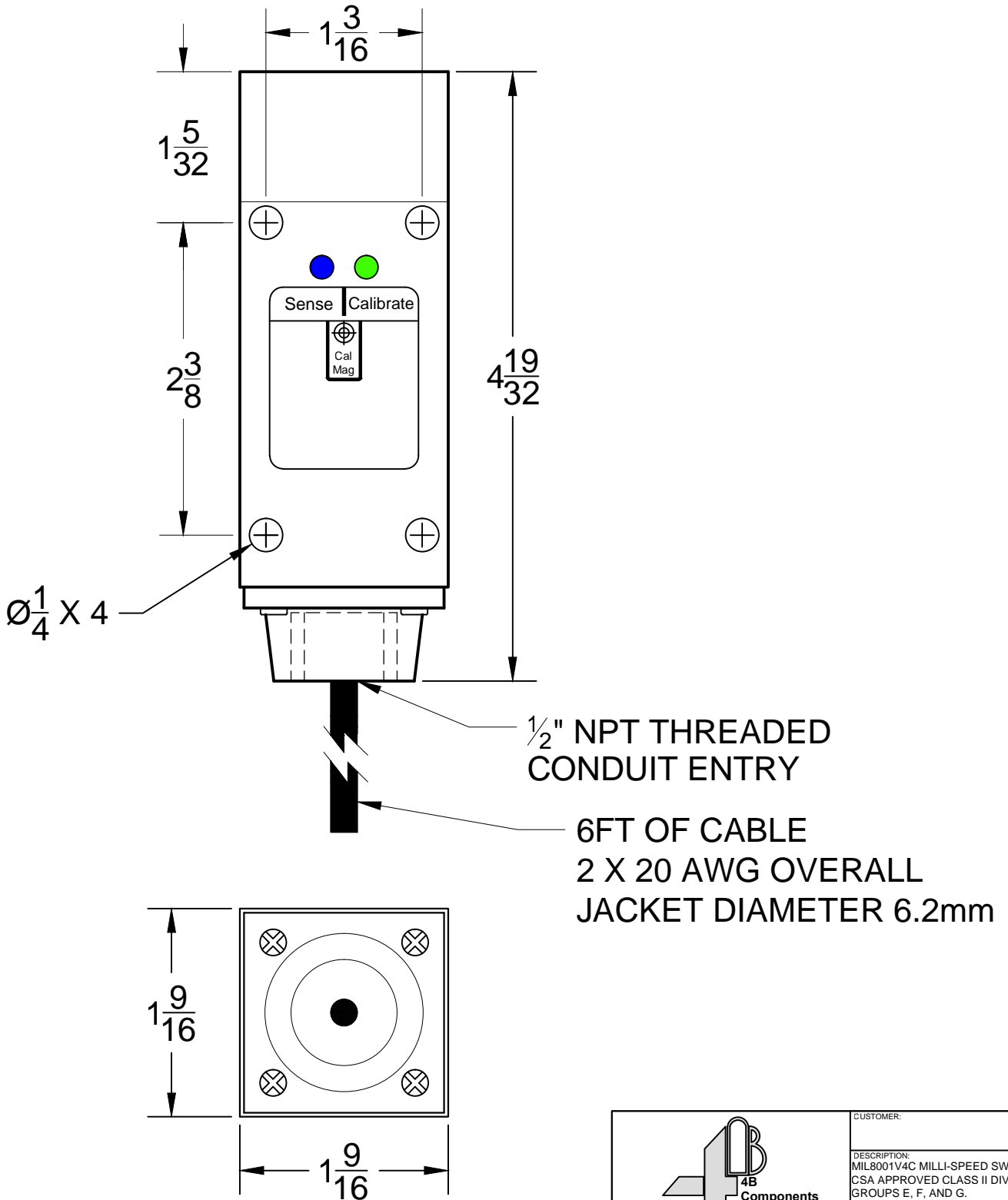
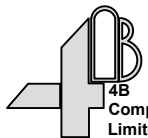


**Note:**

All dimensions in inches.



 <b>4B Components Limited</b> <a href="http://www.go4b.com/usa">www.go4b.com/usa</a> <small>625 Erie Avenue - Morton, IL 61550 USA          Tel: 309-698-5611 Fax: 309-698-5615</small>		CUSTOMER:	
		DESCRIPTION: MIL8001V4C MILLI-SPEED SWITCH CSA APPROVED CLASS II DIV I GROUPS E, F, AND G.	
SO #	PO #	SCALE:	NTS
DRAWN: CM	CHECKED: BK	DRAWING #	REV:
DATE: 02/06/2015	DATE: 02/06/2015	MIL8001V4C	0

Change Note	Rev	Date	Drawn	Check	Brief Description