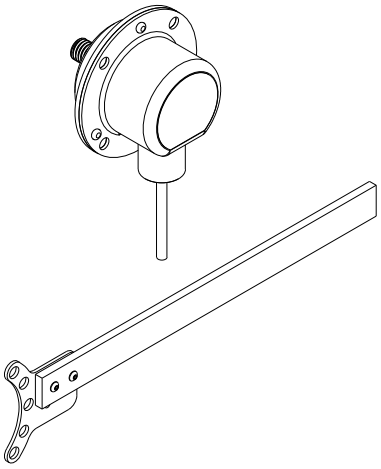
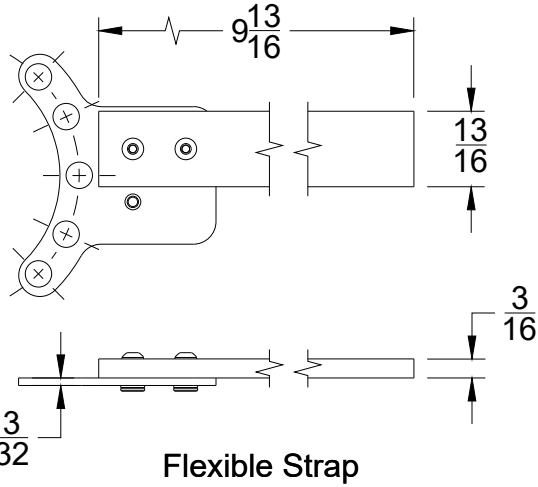
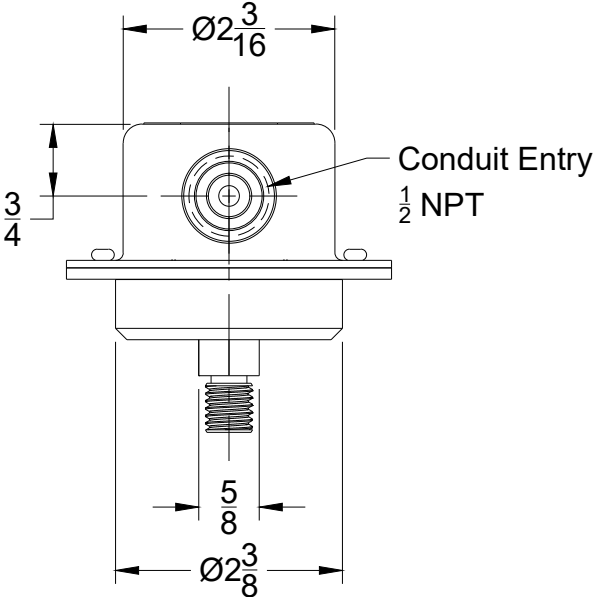
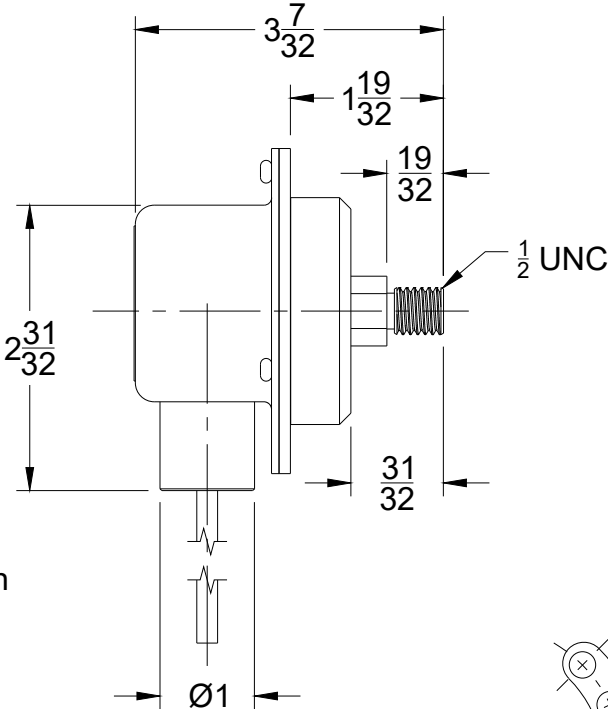
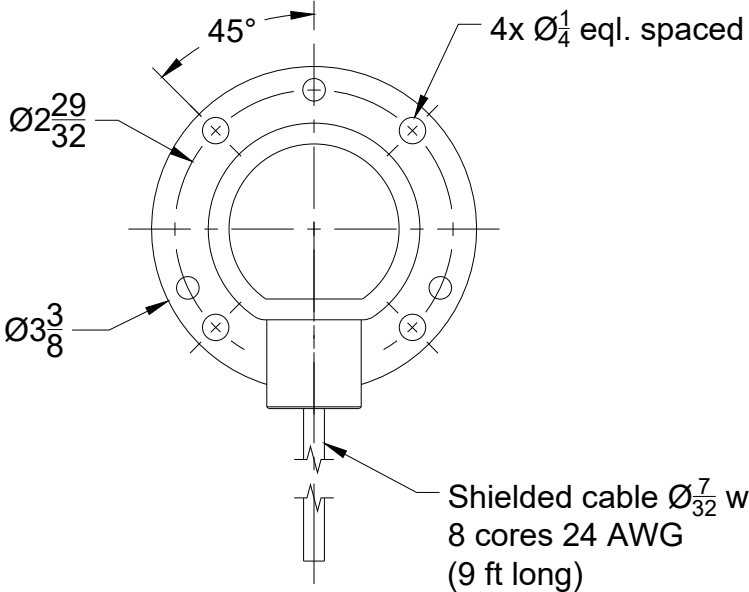



Note:
All dimension in inches.



 4B Components Limited www.go4b.com/usa 625 Erie Avenue - Morton, IL 61550 USA Tel: 309-698-5611 Fax: 309-698-5615		CUSTOMER:	
		DESCRIPTION: Encoder-Flex 1024 (EFLEX10241V34)	
SO #	PO #	SCALE: 1:4	
DRAWN: NB	CHECKED: BK	DRAWING #	REV: 0
DATE: 2/8/2023	DATE: 2/8/2023		

CHANGE NOTE	REV	DATE	DRAWN	CHECK	DESCRIPTION