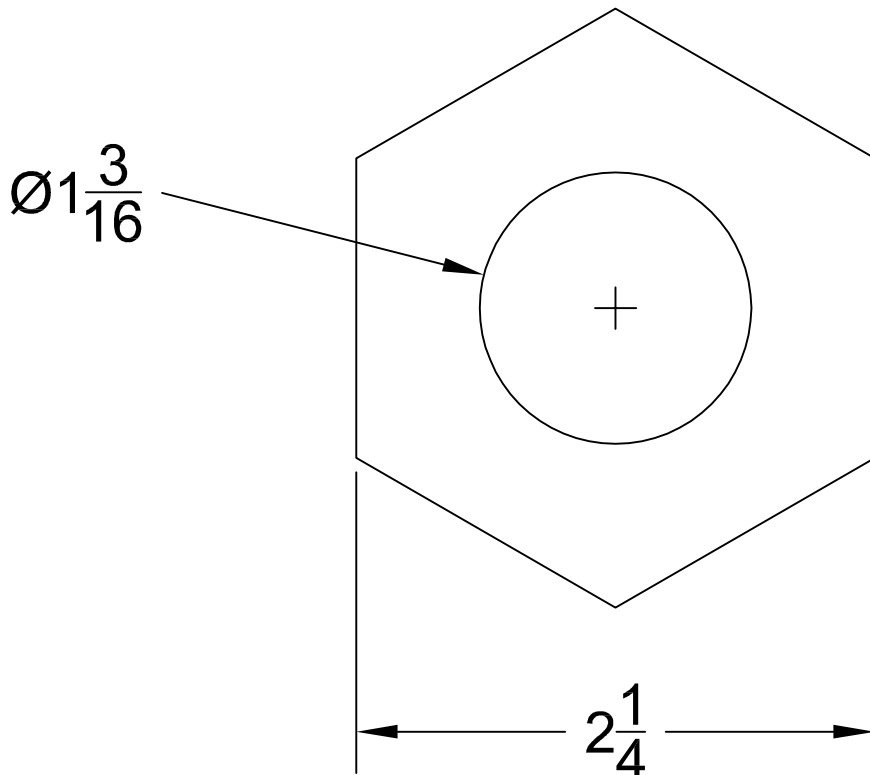
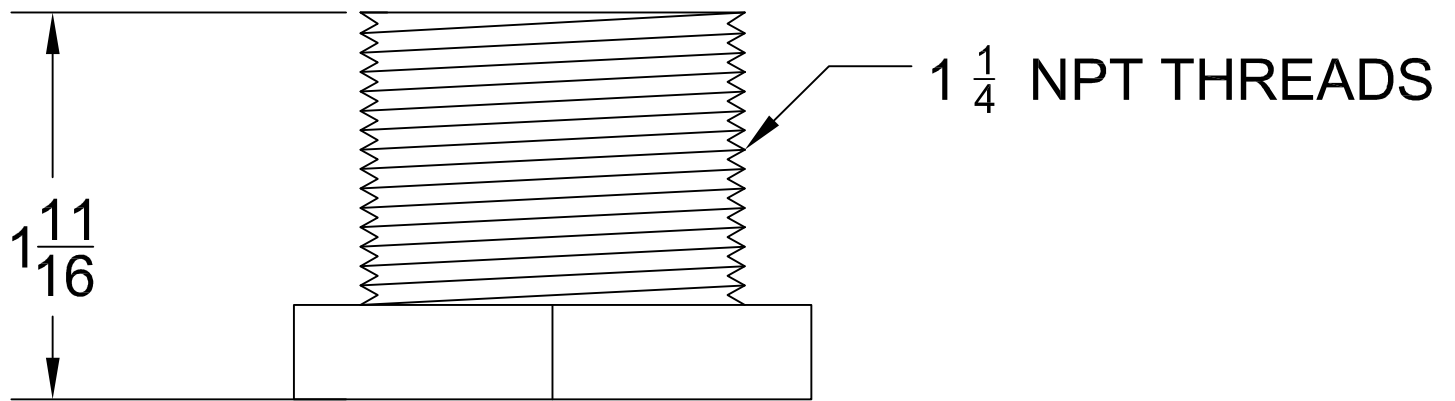
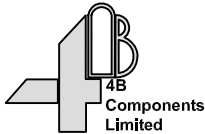


NOTE: ALL DIMENSIONS IN INCHES



 4B Components Limited www.go4b.com <small>729 Sabina Drive - East Peoria, IL 61611 USA Tel: 309-698-5611 Fax: 309-698-5615 Email: 4b-usa@go4b.com</small>	Customer:	
	N/A	
Description:		
BMBA BINSWITH MOUNT		
Sales Order #	Scale:	
N/A	NTS	
Drawn By: DAVID BYARD	Checked By: BRIAN KNAPP	Drawing #
Date: 01/15/2010	Date: 02/17/2010	BMBA
		Rev:
		0

Change Note	Rev	Date	Drawn	Check	Brief Description