

Speed Relay

BETTER BY DESIGN

Speed Relay - SR Series

Underspeed Relay Contact for Rotation Monitoring

APPLICATION

The SR series speed relay is used to monitor the speed of a rotating shaft and detect if it rises or falls below a preset safety level.

METHOD OF OPERATION

The DIN rail mounted speed relay can be used with any Rotech encoder, and with 4B's WDA or P800 proximity sensors. A user adjustable underspeed relay contact output can sound an alarm or shutdown machinery when the shaft speed falls below the preset level.

FEATURES

- ▶ Standard Speed Ranges* (0 to 10, 100 & 1,000 RPM)
- ▶ Single Output Relay (Single Pole Changeover)
- ▶ LED Power and Status Indication
- ▶ Dual Power Supply** (110 / 240 VAC)
- ▶ Selectable 10 Second Start Delay (SR1 Only)
- ▶ Opto-Isolated Input Signal Repeat Output (SR1 Only)

PART NUMBERS/ACCESSORIES

- ▶ SR1V5-1 Speed Relay (1 PPR)
- ▶ SR1V5-4 Speed Relay (4 PPR)
- ▶ SR1V5-10 Speed Relay (10 PPR)
- ▶ SR1V5-360/100 Speed Relay (360 PPR)
- ▶ SR2V5-1 Speed Relay (1 PPR)
- ▶ SR2V5-4 Speed Relay (4 PPR)
- ▶ SR2V5-10 Speed Relay (10 PPR)
- ▶ SR2V5-60 Speed Relay (60 PPR)
- ▶ ENC108 Optional NEMA 4 Enclosure

4B COMPATIBLE SENSORS

- ▶ RSE Rotech Encoder - Aluminum
- ▶ RSE304SS4VB Rotech Encoder - 304 Stainless Steel
- ▶ RSE316SS4VB Rotech Encoder - 316 Stainless Steel
- ▶ RSEP Rotech Encoder - Polypropylene
- ▶ WDA3V34C WDA Sensor
- ▶ P8001V34FC P800 ProxSwitch



Rotech Encoder



WDA Sensor



P800 ProxSwitch



SR1V5-4



SR2V5-1



* 0.01 to 20,000 Speed Ranges Available (Special Order)
** 12 / 24 VDC Available (Special Order)

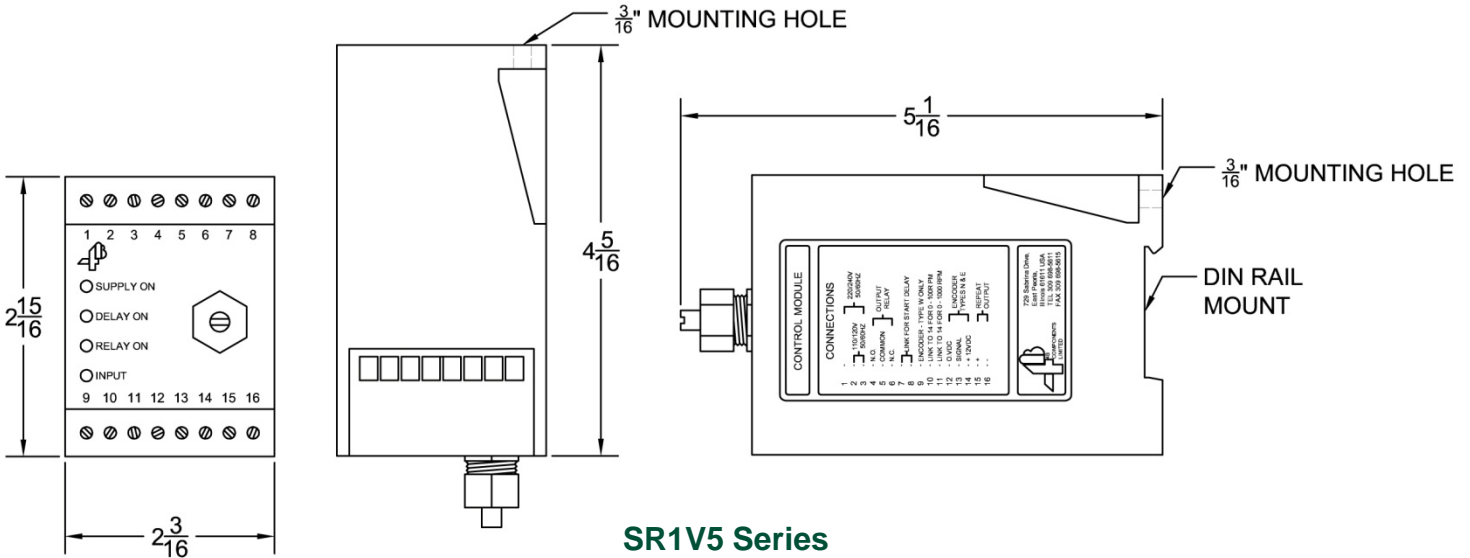
Please refer to instruction manual for correct installation.
Information subject to change or correction. Nov 2010

Detailed specification, wiring diagrams and installation/operating instructions available upon request.

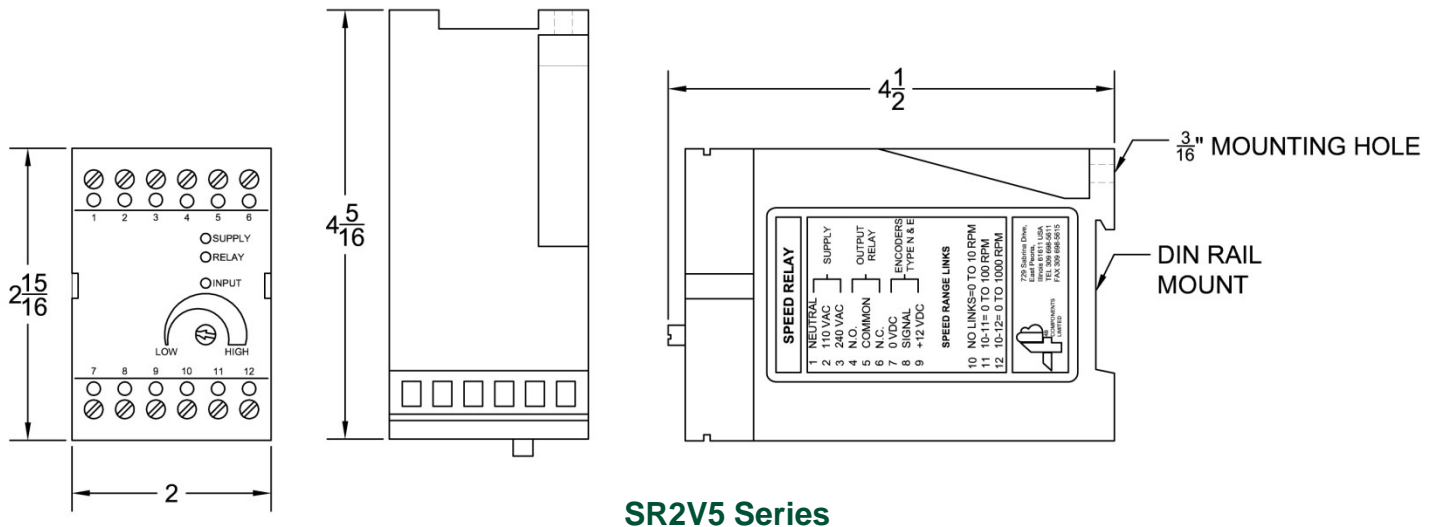
Speed Relay

BETTER BY DESIGN

DIMENSIONS



SR1V5 Series



SR2V5 Series

TECHNICAL SPECIFICATIONS

Speed Relay

	SR1V5	SR2V5
Supply:	110 / 240 VAC	110 / 240 VAC
Start Delay:	Built In	Optional
Protection:	IP50	IP50
Temperature:	-14° F to +158° F	-14° F to +158° F
Mounting:	DIN 1.5" x 3/4" Rail	DIN 1.5" x 3/4" Rail

Detailed specification, wiring diagrams and installation/operating instructions available upon request.

Please refer to instruction manual for correct installation. Information subject to change or correction. Nov 2010