

Auto-Set™

Radio Frequency (RF) Capacitance Point Level Indicator

APPLICATION

The Auto-Set series RF capacitance point level monitors are used for detecting high, intermediate, or low levels of liquids, powders and free flowing granular solids stored in tanks, bins, silos or other containers.

METHOD OF OPERATION

The Auto-Set series incorporates simple push-button calibration with microprocessor enable/disable switch for total protection of stored values. Once the Auto-Set is calibrated for the application it never has to be re-calibrated. Data is stored in non-volatile memory so it is not affected by power loss.

A four digit LED display shows set values for uncovered, covered and trip settings, allowing simple set-up and adjustment. A set of voltage-free changeover relay contacts are actuated when the level of the material in the container reaches the probe. The unit incorporates a unique power shield which automatically compensates for material build-up around the probe and on the sides of the container, preventing false indication. The solid state electronics are housed in a weatherproof, flame retardant, glass-reinforced nylon enclosure.

The Auto-Set series can be top or side mounted, and are available with 3, 12, 24, 36 and 48 inch 316 solid stainless steel probes. For applications up to 33 feet long (maximum), 304 stainless steel wire is used to extend the probe length. The Auto-Set can be used with container walls up to 14.5 inches thick.

FEATURES

- ▶ High and Low Level Fail Safe Indication
- ▶ Multi-Voltage (110/240 VAC or 24 VDC)
- ▶ Push Button Calibration
- ▶ Digital Display & Internal Timer
- ▶ 3 in. to 33 ft. Probe Lengths
- ▶ Power Shield Compensates for Material Build-Up on Probe
- ▶ Remote Models for High Temperature or Vibration Areas
- ▶ Flush Probe Version for Close Fitting Applications

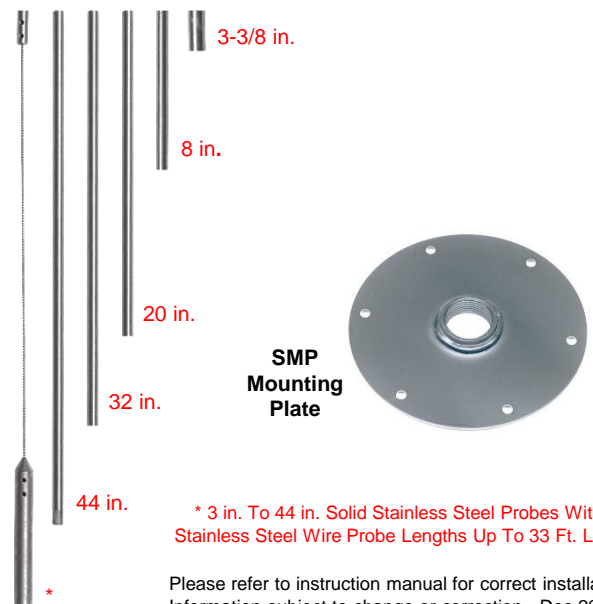
PART NUMBERS/ACCESSORIES

- ▶ AT57V0FC Auto-Set - Walls Up To 3 in. Thick
- ▶ AT57V0FC-300 Auto-Set - Walls 3 to 11 in. Thick
- ▶ AT57V0FC-400 Auto-Set - Walls 11 to 14.5 in. Thick
- ▶ EX03 316 Stainless Steel 3-3/8 in. Probe
- ▶ EX12 316 Stainless Steel 8 in. Probe
- ▶ EX24 316 Stainless Steel 20 in. Probe
- ▶ EX36 316 Stainless Steel 32 in. Probe
- ▶ EX48 316 Stainless Steel 44 in. Probe (M/F Ends)
- ▶ WP 304 Stainless Steel Probe Wire
- ▶ SMP Mounting Plate (Stainless Available)

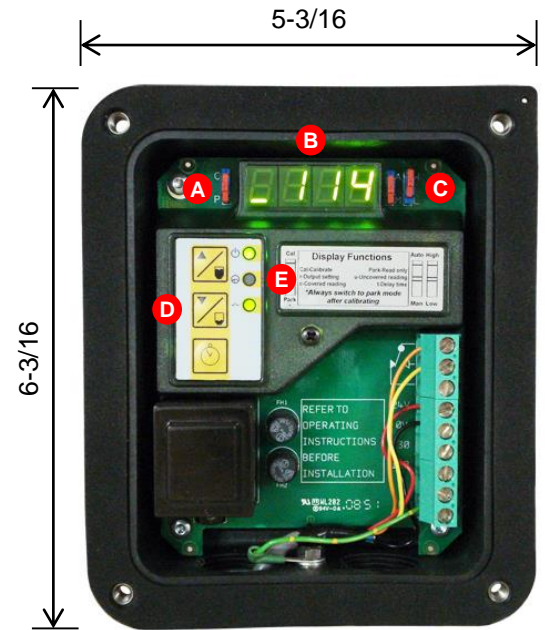
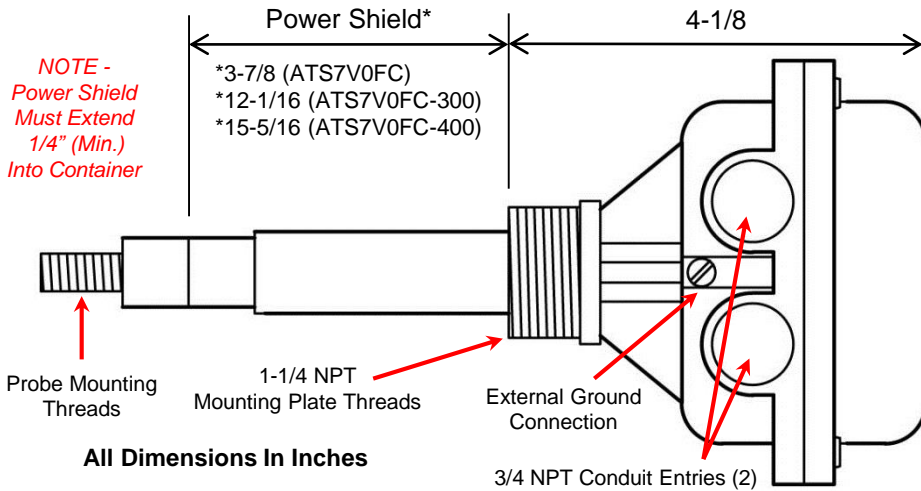
Detailed specification, wiring diagrams and installation/operating instructions available upon request.



ATEX Approved
Versions Available



Please refer to instruction manual for correct installation.
Information subject to change or correction. Dec 2015



OTHER MODELS AVAILABLE

Auto-Set Remote

Remote Version for High Temperature (482°F) and Vibration Applications.

Auto-Set Flush Probe

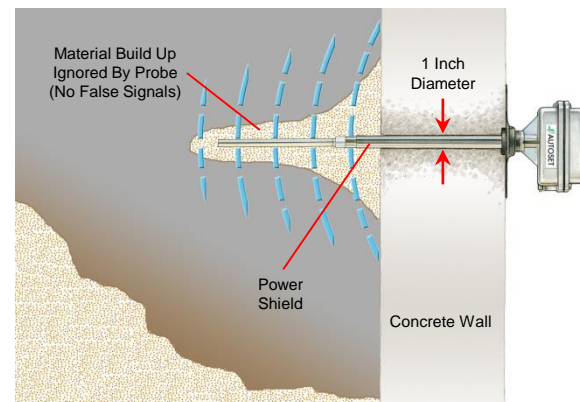
Flush Probe Version (1 to 2 Inch Insertion) for Tight Fitting Areas.

TECHNICAL SPECIFICATIONS

Auto-Set™ RF Capacitance Point Level Indicator

MODELS: ATS7V0FC, ATS70FC-300, ATS7V0FC-400	
Power Supply:	120/240 VAC or 24 VDC (Universal Supply)
Operating Temperature:	-25°F (-32°C) to 160°F (71°C)
Sensitivity:	0.5 Pico Farad
Output:	1 Set of Voltage-Free Changeover Relay Contacts
Fail Safe (Selectable):	Low Level (Energized When Covered) High Level (Energized When Uncovered)
Calibration:	Push Button (With or Without Material)
LED Display:	Measured Values (Covered, Uncovered, Trip)
LED Indicator:	Material Detection
Time Delay:	0 - 60 Seconds
Power Shield:	3-7/8 in. (ATS7V0FC) 12-1/16 in. (ATS70FC-300) 15-5/16 in. (ATS7V0FC-400)
Probes:	Stainless Steel (3 in. to 33 Ft.)
Conduit Entry:	3/4 in. NPT (2)
Enclosure	Flame Retardant, Glass Reinforced Nylon
Protection:	IP65, NEMA 4
Approvals:	CSA Class II Div. 1 Groups E, F, G CE and ATEX (Available)

POWER SHIELD OVERVIEW



The power shield creates a barrier and enables the unit to ignore material built up on the probe, preventing false readings. Installation through thick concrete silos only requires a one inch diameter hole for probe insertion.

Please refer to instruction manual for correct installation. Information subject to change or correction. Dec 2015

Detailed specification, wiring diagrams and installation/operating instructions available upon request.