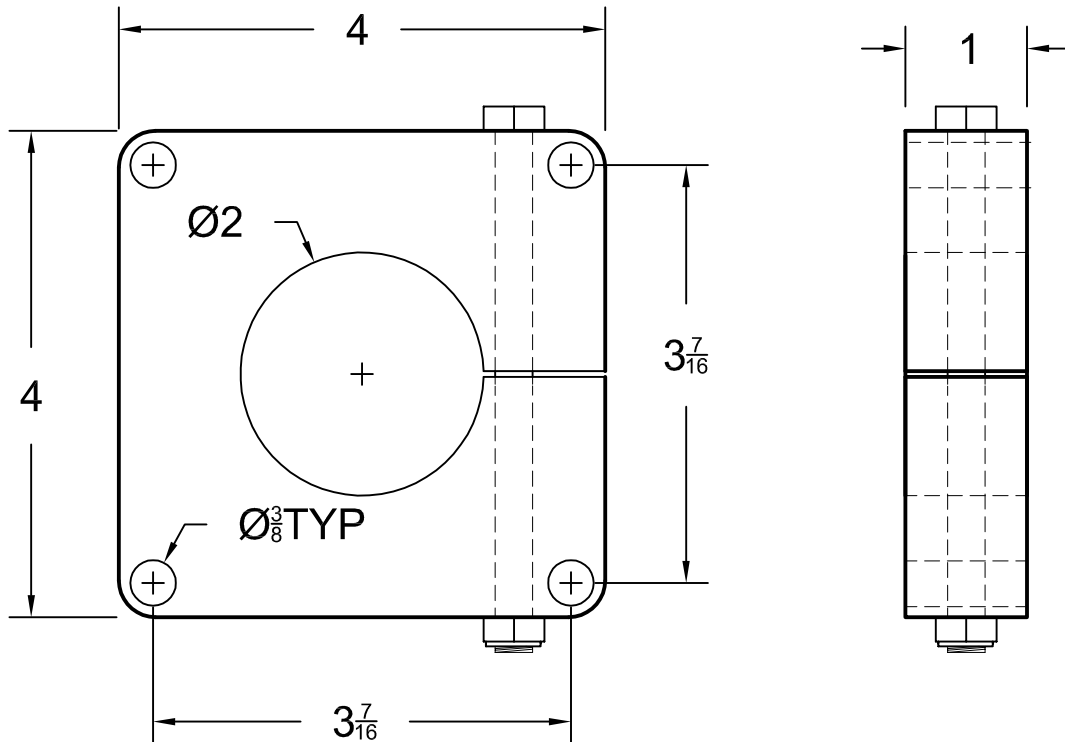
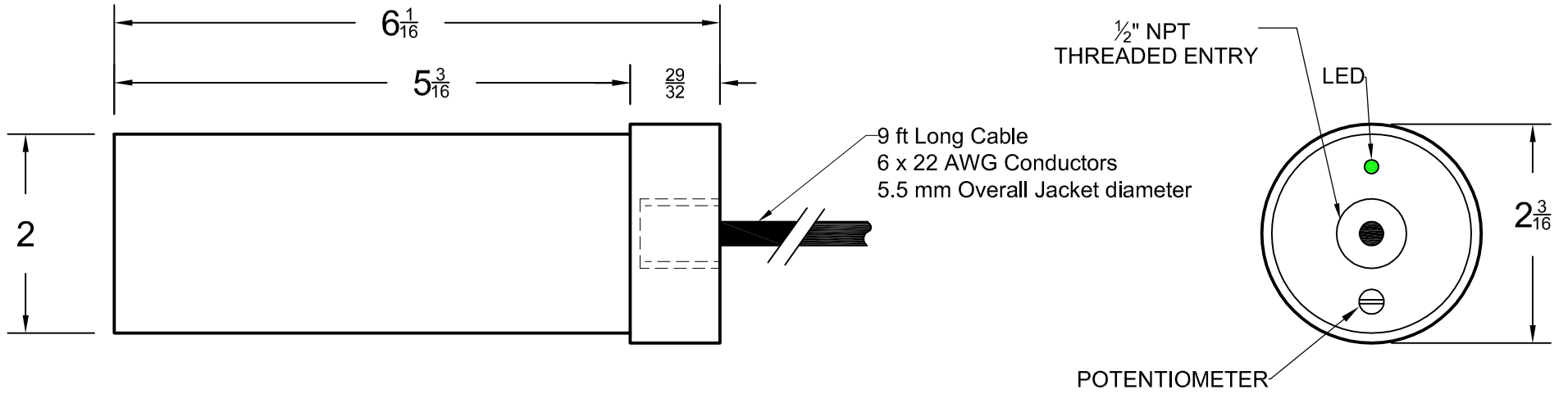


Note:
All dimensions in inches.



 4B Components Limited www.go4b.com 729 Sabrina Drive - East Peoria, IL 61611 USA Tel: 309-698-5611 Fax: 309-698-5615 Email: 4b-usa@go4b.com		Customer:	
		N/A	
Description:		WDA3V34C MOTION ALIGNMENT SENSOR WITH INCLUDED MOUNTING BLOCK. 12-24 VDC CSA APPROVED CLASS II DIV I GROUPS E, F, AND G.	
Sales Order #		Scale:	
N/A		N/A	
Drawn By: DAVID BYARD	Checked By: JOHNNY WHEAT	Drawing #	Rev:
Date: 06/10/2009	Date: 09/25/2009	WDA3V34C	0

Change Note	Rev	Date	Drawn	Check	Brief Description