

# Whirligig – Heavy Duty

**Universal Shaft Sensor Mount for the Most Difficult and Demanding Environments**

*Sensor Installation Made Easy!*



## APPLICATION

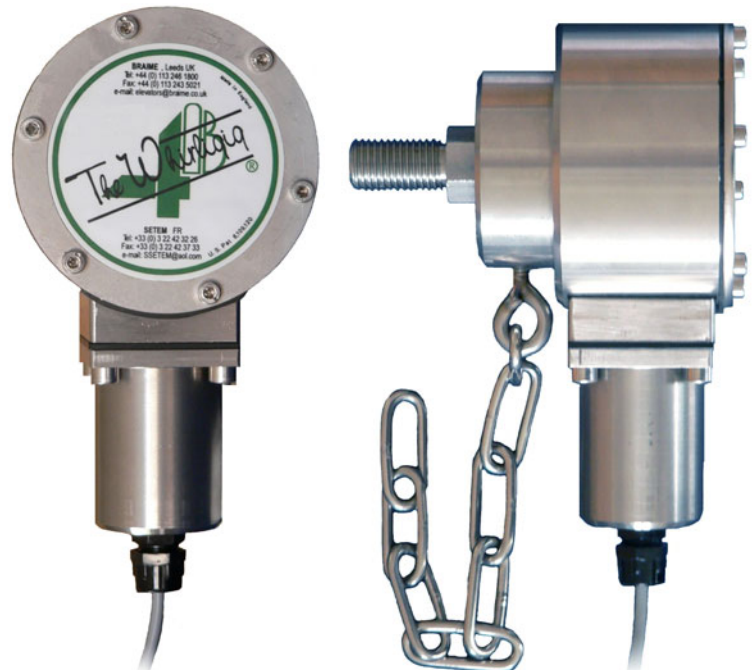
The Whirligig Heavy Duty makes shaft speed monitoring much simpler, easier and more reliable. Its all stainless steel heavy duty construction with sealed twin stainless steel bearings make it ideally suited to corrosive and highly demanding environmental conditions. Specify the type of sensor to be installed inside the unit (M100, M300, P100, or P300) and the number of targets/pulses required. Used on conveyors, elevators and other rotating shafts to monitor shaft speed for continuous, low speed or high speed conditions. Machine vibration or movement does not affect the performance of the sensor as the whole assembly moves with the shaft.

## FEATURES

- ▶ **Heavy Duty – All Machined Stainless Steel Construction**
- ▶ **Easy Installation – Only requires 5/8" UNC Tapped Hole in the Machines Shaft**
- ▶ **Universal System – Accepts 18mm/30mm Cylindrical Sensors of Any Length**
- ▶ **Right or Left Handed Threading Available**
- ▶ **Safe – Fully Enclosed Targets**
- ▶ **Available in 2 or 4 Targets/Pulses**

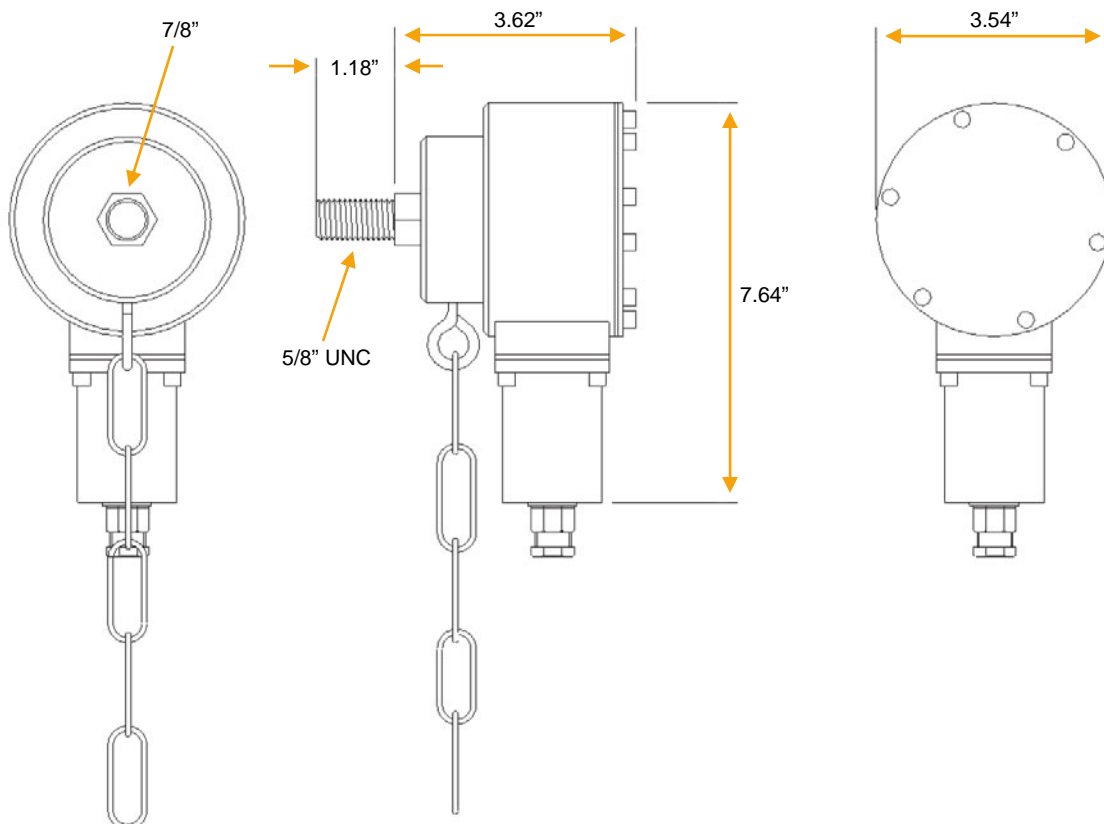
## PART NUMBERS/ACCESSORIES

- ▶ WGHD1-4-18-R Heavy Duty Whirligig (18 mm)
- ▶ WGHD1-4-30-R Heavy Duty Whirligig (30 mm)
- ▶ M1001V10F M100 Stopswitch
- ▶ P1001V10A P100 Proxswitch (2-Wire)
- ▶ P1002V10A P100 Proxswitch (2-Wire)
- ▶ P1001V34A P100 Proxswitch (4-Wire)
- ▶ P3002V10A P300 Proxswitch
- ▶ P3002V10AI P300 Proxswitch
- ▶ SR2 Series Speed Relay



Detailed specification, wiring diagrams and installation/operating instructions available immediately upon request.

Please refer to instruction manual for correct installation. Information subject to change or correction. March 2008.



**TECHNICAL SPECIFICATIONS**

**Heavy Duty Whirligig – Universal Shaft Sensor Mount**

Heavy Duty Whirligig	
<b>Shaft Material:</b>	Stainless Steel
<b>Body Material:</b>	303 Stainless Steel
<b>Bearing:</b>	Sealed Twin Stainless Steel
<b>Thread Size:</b>	5/8" UNC (M16 x 2 mm Also Available)
<b>Temperature:</b>	-9°F to 122°F (-13°C to 50°C)
<b>Maximum Speed:</b>	3000 RPM
<b>Pulses/Targets:</b>	4 (Standard) 2 Available



Speed Relay (Optional)

Please refer to instruction manual for correct installation. Information subject to change or correction. March 2008.