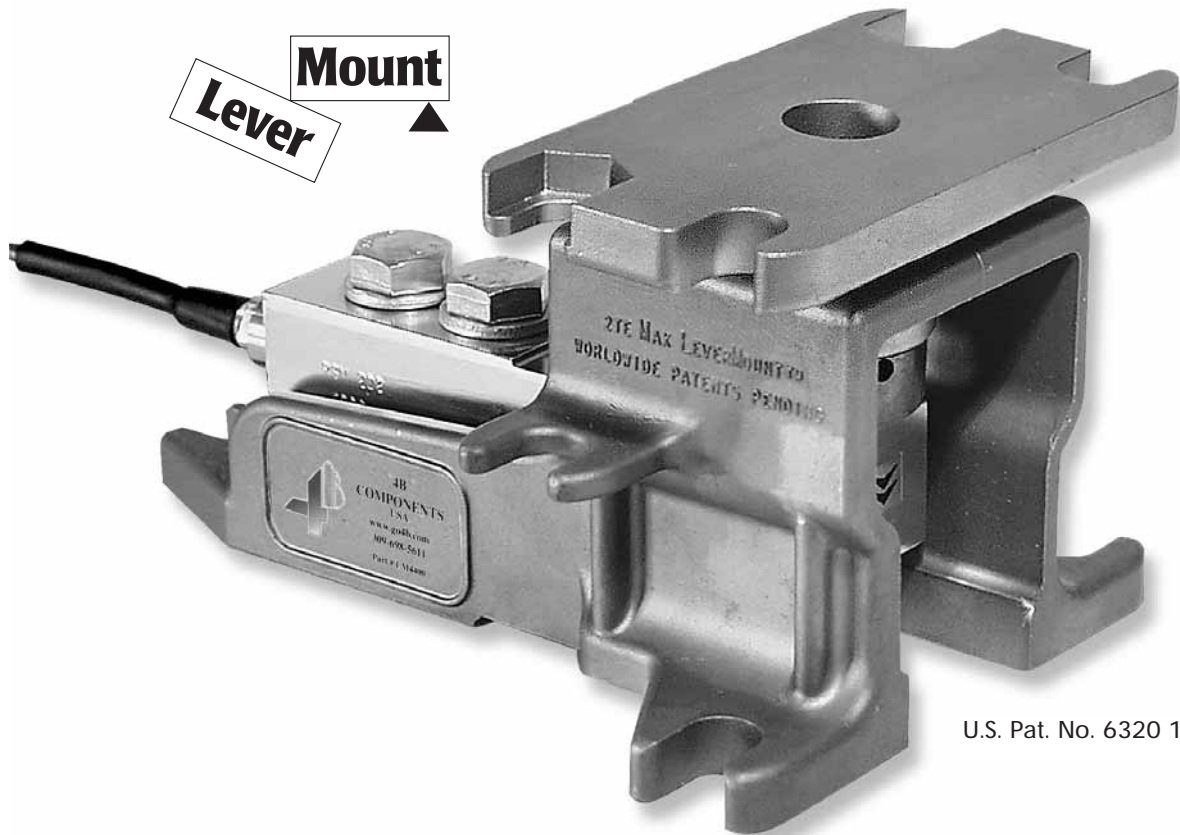




LeverMount®

Innovation In Weighing Assemblies



U.S. Pat. No. 6320 142



- ▶ Load Cell removal without jacks or dummies
- ▶ Raise or lower vessel while under load
- ▶ Safer, quicker, simpler load cell installation
- ▶ Allows for vessel expansion and contraction
- ▶ Vessel lift off and tilt prevention
- ▶ Stainless steel mount comes complete with stainless steel load cell



TECHNOLOGY • INNOVATION • QUALITY • VALUE

Form #900
Brochure information subject to change or correction. July 2004
Refer to instruction manual for correct installation information.

4B COMPONENTS LIMITED

729 Sabrina Drive • East Peoria, Illinois 61611 USA • Telephone 309.698.5611 • Fax 309.698.5615
<http://www.go4b.com>

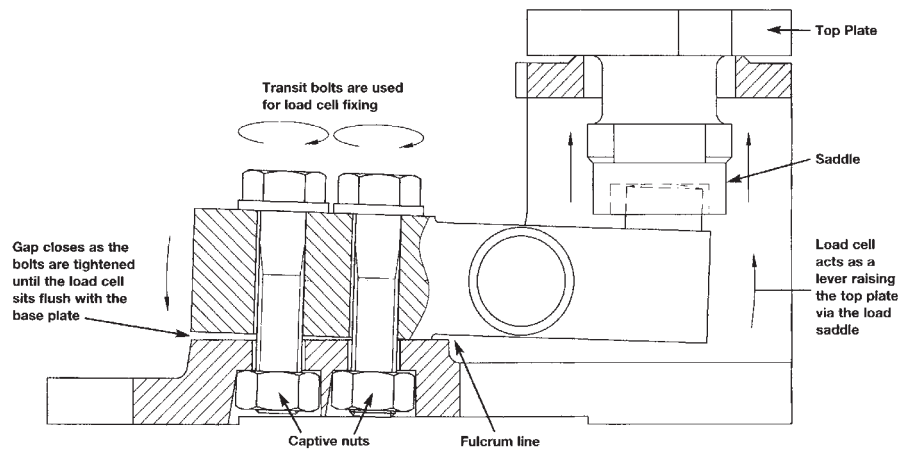
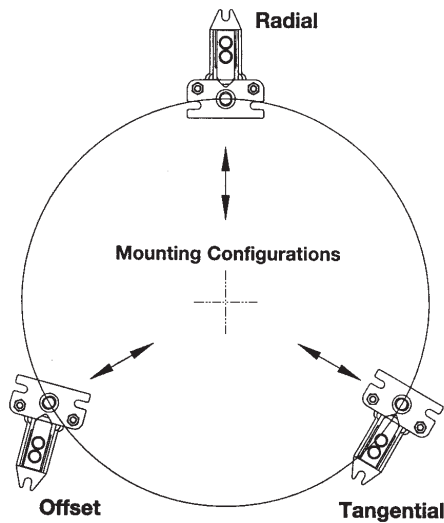




LeverMount®

Innovation In Weighing Assemblies

LeverMount is the next generation of load cell weighing assemblies, designed to offer a completely new approach to process weighing solutions. LeverMount retains the advantages of existing mounts, while providing improved mechanical stability before and during installation. LeverMount can be raised or lowered under load without specialized tools, and the load cell can be removed or replaced without the need for jacks or dummies. This is achieved by using the load cell as a lever to raise the top plate of the mount and the vessel into the working position. The stainless steel mount is available with three different load cell capacities, 1100 lb, 2200 lb, and 4400 lb. A larger LeverMount is available with 6600 lb. and 11,000 lb. load cells. In addition to safer, quicker, simpler load cell installation, other advantages of LeverMount include lift off and tilt prevention; three point support and fixing, and radial, tangential or offset mounting.



US Patent No. 298 797
UK, European and Worldwide patents applied for.



Typical LeverMount Application



Display / Control Unit

3 and 4 Cell Summing Junctions also available

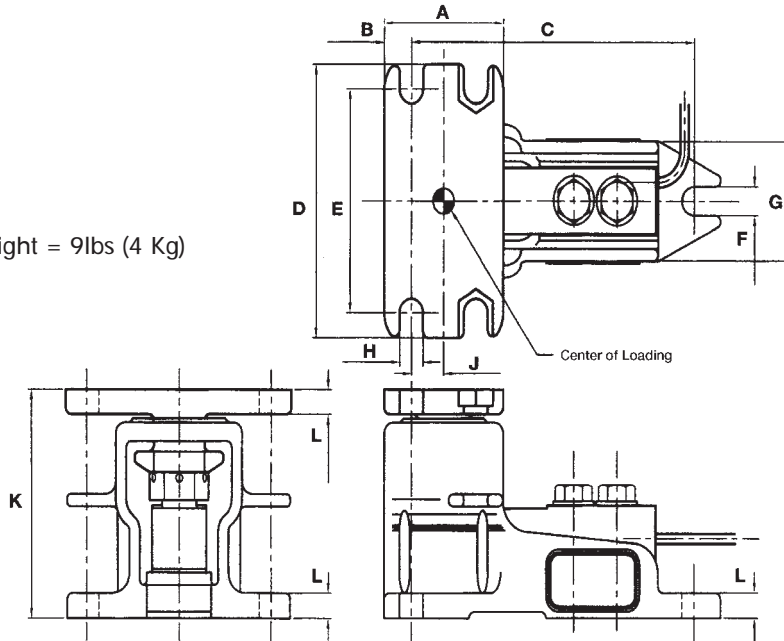


LeverMount®

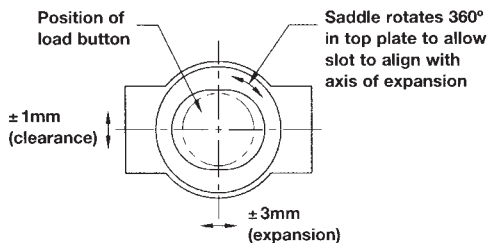
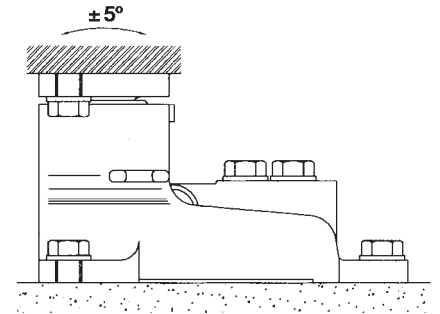
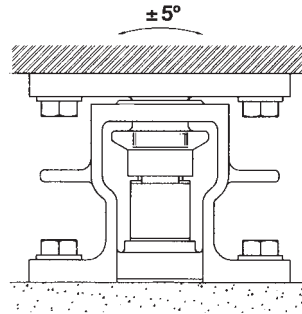
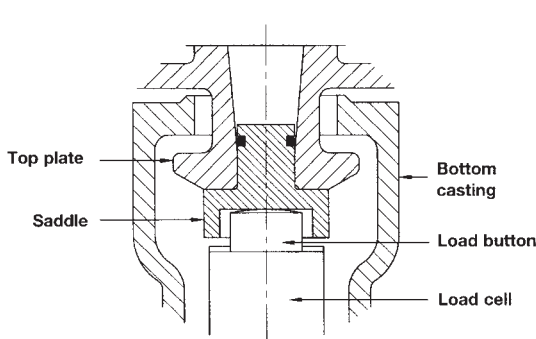
Innovation In Weighing Assemblies

1100, 2200, 4400 Mount Dimensions / Specifications
 Larger Mounts (6600 lb. and 11,000 lb.) Available.

Shipping Weight = 9lbs (4 Kg)



Dim	A	B	C	D	E	F	G	H	J	K	L
Inches	2.75	0.63	6.61	5.19	4.25	0.55	2.36	0.55	0.75	4.33	0.47
MM	70	16	168	132	108	14	60	14	19	110	12



U.S. Pat. No. 6,320,142
 UK, European & worldwide patents applied for



TECHNOLOGY · INNOVATION · QUALITY · VALUE

4B COMPONENTS LIMITED

729 Sabrina Drive • East Peoria, Illinois 61611 USA • Telephone 309.698.5611 • Fax 309.698.5615
<http://www.go4b.com>

E-Mail: 4b@go4b.com



Form #901

Brochure information subject to change or correction. July 2004
 Refer to instruction manual for correct installation information.



LeverMount®

Innovation In Weighing Assemblies

1100, 2200, 4400 Load Cell Dimensions / Specifications
 Larger, 6600 lb. and 11,000 lb. load cells available.

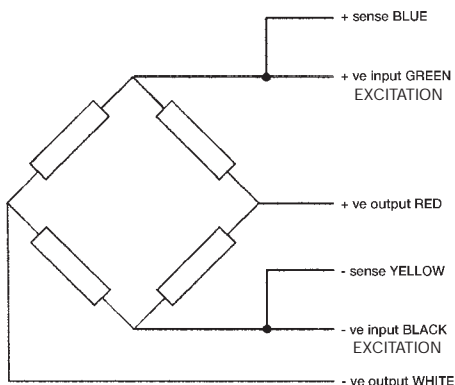
High strength stainless steel, electro-polished, and fully welded construction

Specifications:

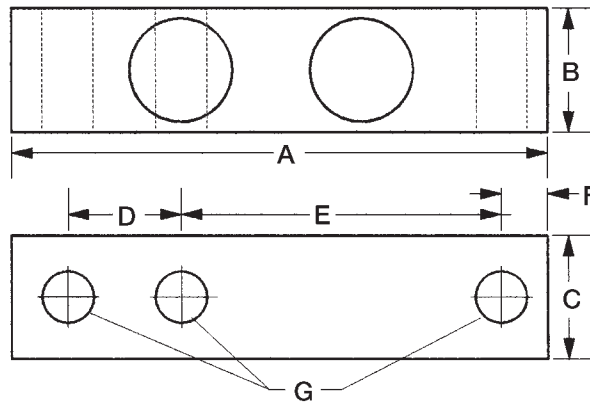
Units

Load Ranges	1100 (500), 2200 (1000), 4400 (2000)	Lbs (kg)
Rated Output	2 (+/-0.1%)	MV/V +/- 0.25%
Combined Error	< +/-0.017	%*
Non-repeatability	< +/-0.015	%*
Creep (30 minutes)	< +/-0.016	%*
Temperature Effect on Zero Balance	< +/-0.01	%/°C
Temperature Effect on Span	< +/-0.006	%/°C
Compensated Temperature Range	14 to +104 (-10 to +40)	°F (°C)
Operating Temperature Range	-4 to 158 (-20 to +70)	°F (°C)
Safe Load	150	%*
Ultimate Overload	300	%*
Zero Balance	< +/-2	%*
Input Resistance	400 +/-20	Ω +/-30
Output Resistance	350 +/-3	Ω +/-1.5
Insulation Resistance	>5000	MΩ @ 100V DC
Recommended Supply Voltage	10	V DC
Maximum Supply Voltage	15	V DC
Cable Length	15 (5)	FT (m)
Protection	IP 68	-
Approvals	O.I.M.L. and CE (Ⓢ Optional)	-

*With respect to rated output



6 conductor shielded pvc cable



	A	B	C	D	E	F	G
Inches	5.12	1.25	1.25	1.00	3.00	0.50	0.53
MM	130.1	31.5	31.5	25.4	76.2	12.7	13.5



TECHNOLOGY · INNOVATION · QUALITY · VALUE

Form #901
 Brochure information subject to change or correction. July 2004
 Refer to instruction manual for correct installation information.

4B COMPONENTS LIMITED

729 Sabrina Drive • East Peoria, Illinois 61611 USA • Telephone 309.698.5611 • Fax 309.698.5615
<http://www.go4b.com>

E-Mail: 4b@go4b.com

