

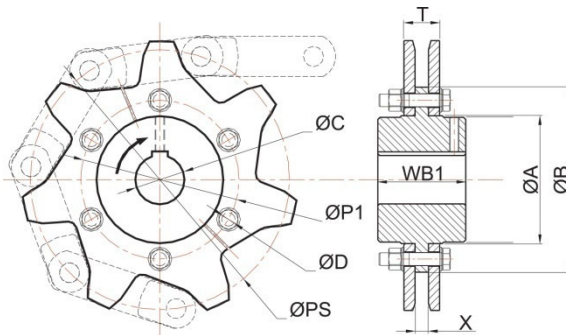
Sprockets

FEATURES

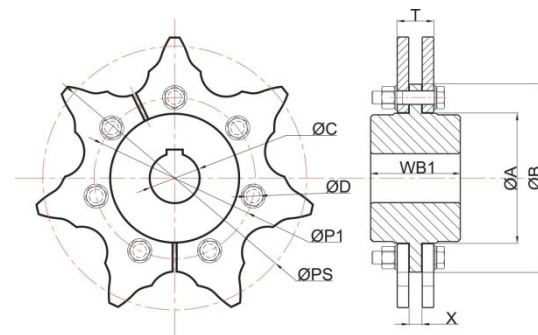
- ▶ Manufactured from High Grade Heat Treated Steel to 57RC
- ▶ Machined to Size with Appropriate Bore and Keyway to Customers Specification
- ▶ Most Sizes from Stock
- ▶ Fast Delivery

NOW AVAILABLE!
Split Hubs & Trailers

FREE
Elevator & Conveyor
Engineering
Design Service



Standard Sprocket (Shown with Hub)



Wear Reversible Sprocket (Shown with Hub)

Chain Ref.	No. of Teeth	ØPS (mm)	ØP1 (mm)	ØA (mm)	ØB (mm)	ØC (mm) Max.	ØD (mm)	N No. of Holes	T (mm)	X (mm)	WB1 (mm)
4B102NA	6	204.0	---	105.0	135.0	70	---	---	30	10	83
	7	235.1	146.0	108.0	173.0	70	M12	6	30	10	83
	8	266.5	170.0	144.0	196.0	85	M12	6	30	10	83
	9	298.2	200.0	174.0	232.0	105	M12	6	30	10	83
	10	330.1	241.3	179.0	264.0	105	M12	8	30	10	83
4B142NA	6	284.0	168.3	136.5	190.5	85	M12	6	46	16	112
	7	327.3	200.0	162.0	234.0	105	M16	6	46	16	112
	8	371.1	241.3	187.3	282.0	115	M20	8	46	16	127
	9	415.2	285.8	240.0	330.0	150	M20	8	46	16	127
	10	459.5	285.8	240.0	330.0	150	M20	8	46	16	127
	11	504.0	368.3	310.0	419.0	170	M20	8	46	16	150
	12	548.6	415.0	345.0	465.0	170	M20	8	46	16	150
	13	593.4	470.0	380.0	521.0	170	M20	8	46	16	150
4B142HA	7	327.3	200.0	162.0	234.0	105	M16	6	69	19	127
	8	371.1	241.3	187.3	282.0	115	M20	8	69	19	150
	9	415.2	285.8	240.0	330.0	150	M20	8	69	19	150
	10	459.5	285.8	240.0	330.0	150	M20	8	69	19	150
	11	504.0	368.3	310.0	419.0	170	M20	8	69	19	150
	12	548.6	415.0	345.0	465.0	170	M20	8	69	19	150
	13	593.4	470.0	380.0	520.0	170	M20	8	69	19	180
14	638.1	470.0	380.0	546.0	170	M20	10	69	19	180	

We offer any bore size to suit your requirements - please consult our engineers for recommended shaft diameter.

Mar 2010

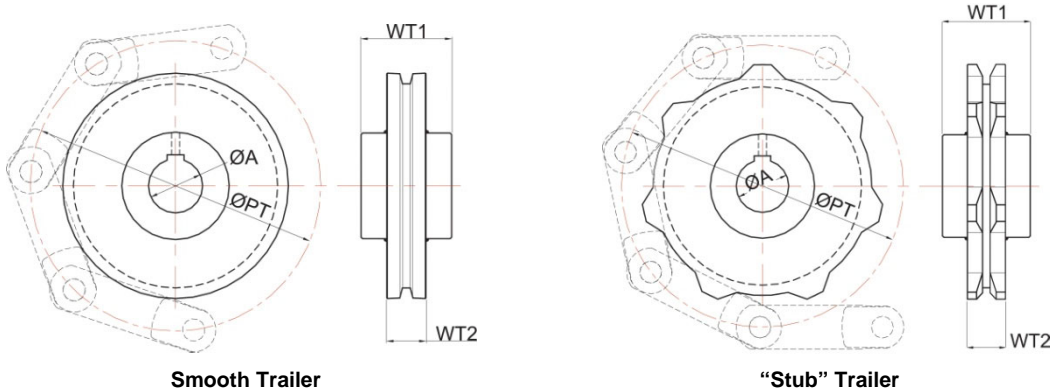
Trailers

FEATURES

- ▶ Manufactured from High Grade Heat Treated Steel to 57RC
- ▶ Machined to Size with Appropriate Bore and Keyway to Customers Specification
- ▶ Most Sizes from Stock
- ▶ Fast Delivery

NOW AVAILABLE!
Split Hubs & Trailers

FREE
Elevator & Conveyor
Engineering
Design Service



Smooth Trailer

"Stub" Trailer

Chain Ref.	No. of Teeth	Max Shaft Dia. ØA (mm)	Pitch Circle Dia. ØPT (mm)	Rim Width Dia. WT1 (mm)	Hub Width Dia. WT2 (mm)
4B102NA	6	65	204.0	57	35
	7	65	235.1	57	35
	8	65	266.5	57	35
	9	65	298.2	57	35
	10	65	330.1	57	35
4B142NA	6	85	284.0	74	45
	7	85	327.3	74	45
	8	85	371.1	77	45
	9	115	415.2	77	45
	10	115	459.5	77	45
	11	115	504.0	105	45
	12	115	548.6	105	45
4B142HA	13	115	593.4	120	45
	14	115	638.1	120	45
	7	115	327.3	110	75
	8	115	371.1	110	75
	9	115	415.2	110	75
	10	115	459.5	120	75
	11	140	504.0	120	75
	12	140	548.6	120	75
	13	140	593.4	120	75
	14	140	638.1	140	75

We offer any bore size to suit your requirements - please consult our engineers for recommended shaft diameter.

Mar 2010