

## CC-S® Plastic Elevator Buckets

### Heavy-Duty Agricultural CC Style Elevator Bucket

#### OVERVIEW

A range of heavy-duty CC style elevator buckets designed to outperform other agricultural buckets by offering greater capacities, longer life, and cleaner discharges. Unique Iceberg® Edge design with stronger front lip and maximum material thickness. With the CC-S® series stackable design, there is the added benefit of substantial freight and storage space savings. The complete CC-S® range of 35 different sizes are molded from premium virgin white HDPE (nylon and urethane available) for ultimate strength and durability.

#### MATERIAL

- ▶ Virgin HDPE, Nylon or Urethane

#### TEMPERATURE RANGE

- ▶ HDPE: -120°F to 200°F
- ▶ Nylon: -60°F to 300°F
- ▶ Urethane: -60°F to 210°F

#### FEATURES

- ▶ Light Weight, Tough & Flexible
- ▶ Reinforced Front Lip, Walls & Corners
- ▶ Stackable Design for Shipping & Storage
- ▶ Wingless Profile for Closer Spacing & Greater Capacities

#### APPLICATIONS

- ▶ Non-Abrasive Free-Flowing Granular Materials: Grain, Feed, Seed, Food Products and Fertilizer

#### ACCESSORIES

- ▶ Elevator Bolts, Washers & Nuts
- ▶ Belting - Rubber, PVC, Steel Web
- ▶ Belt Fasteners / Splices
- ▶ Pulley Lagging



U.S. Patent D496-052

Get  
**4**  
Before

Get 4 Free  
Buckets  
To Try  
Before  
You Buy!

4B knows that buying elevator buckets can be a large investment and important part of your business. Some bucket manufacturers make all sorts of claims about their products. That is why 4B offers customers the opportunity to try our buckets for free. We know that once you see the results for yourself, you will be extremely satisfied.

To Get Your 4 Free Buckets, Call 309-698-5611  
and Speak to a 4B Sales Engineer Today!

(Certain Bucket Styles Only, Other Restrictions May Apply)

# CC-S® Plastic Elevator Buckets

BETTER BY DESIGN



Developed as “the world’s first stackable CC-style polymer elevator bucket.” CC-S® buckets nest inside one another for reduced storage and shipping space. Freight cost savings are realized as the increased shipping density offers a lower freight classification.



Unique Iceberg® Edge heavy duty front lip with maximum material thickness and a tapered leading edge for a longer wear life. The triangular rigid design prevents bowing for a consistent discharge over the life of the bucket.

The tapered shape also delivers a low digging factor which means less material resistance, less material degradation and fewer forces on the bucket system.



CC-S® buckets are group bundled in individual plastic sleeves for easy transportation and storage.

Unlike cardboard cartons, the plastic sleeves are water-proof and deter rodent infestation.

## Product Testing

Rigorous product testing on all of our material handling components is conducted at 4B’s own in-house testing facilities. This ensures that we provide our customers with the best products in quality, durability and performance.



### CC-S Discharge Video

Scan the QR code or visit  
[www.go4b.com/cc-s](http://www.go4b.com/cc-s)



Pictured on Right –  
4B’s Testing Elevator #2



CC-S® is a registered trademark of 4B Components, Ltd.  
Information subject to change or correction. Dec 2011

# CC-S® Plastic Elevator Buckets

BETTER BY DESIGN

## TECHNICAL SPECIFICATIONS

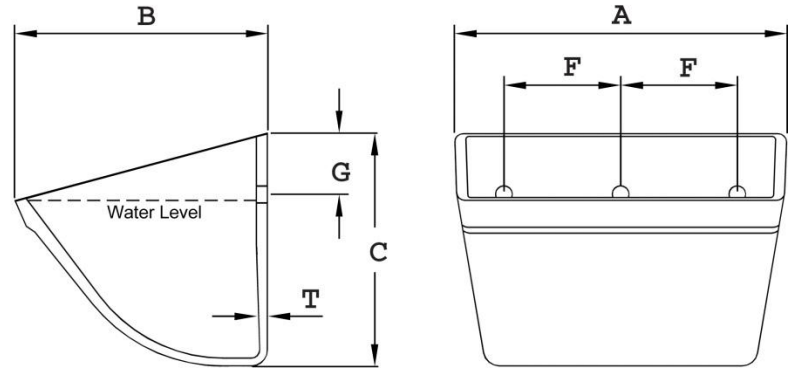
### CC-S® Elevator Buckets

**FREE**

#### Elevator & Conveyor Engineering Design Service

Take advantage of 4B's free, guaranteed worldwide technical support service from a team of material handling engineers specializing in the design and upgrade of bucket elevators and conveyors.

Whether you want a new elevator design, or just want to increase the capacity and performance of your existing elevator, our engineers can help.



Nominal Size (in.)	Part #	Dimension (in.)				Standard Punching (in.)				Capacity (cu. in.)		Minimum Spacing (in.)	HDPE Weight (lbs.)	Package Quantity
		Length A	Projection B	Back Depth C	Thickness T	# Holes	Bolt Size	Hole Center F	Dist. Down G	Water Level	Water Level +10%			
3 x 2	CC-SP032	3-5/16	2-1/2	2-1/16	3/16	2	1/4	1-3/4	7/8	6	7	2-1/2	0.20	48
4 x 3	CC-SP043	4-5/16	3-1/2	3-1/16	3/16	2	1/4	2-1/2	7/8	17	19	3-1/2	0.25	24
5 x 4	CC-SP054	5-1/4	4-1/2	4-1/16	1/4	2	1/4	3-3/16	1-1/4	37	41	4-1/2	0.45	18
6 x 4	CC-SP064	6-1/4	4-1/2	4-1/16	1/4	2	1/4	4-3/8	1-1/4	45	50	4-1/2	0.52	18
7 x 4	CC-SP074	7-1/4	4-1/2	4-1/16	1/4	3	1/4	2-11/16	1-1/4	53	58	4-1/2	0.58	18
6 x 5	CC-SP065	6-3/8	5-1/2	5-5/32	1/4	2	1/4	4-3/8	1-7/8	70	77	5-1/2	0.82	14
7 x 5	CC-SP075	7-3/8	5-1/2	5-5/32	1/4	3	1/4	2-11/16	1-7/8	83	91	5-1/2	0.91	14
8 x 5	CC-SP085	8-3/8	5-1/2	5-5/32	1/4	3	1/4	3-1/16	1-7/8	95	105	5-1/2	0.99	14
9 x 5	CC-SP095	9-3/8	5-1/2	5-5/32	1/4	3	1/4	3-5/8	1-7/8	107	118	5-1/2	1.10	14
10 x 5	CC-SP105	10-3/8	5-1/2	5-5/32	1/4	3	1/4	4-1/8	1-7/8	120	132	5-1/2	1.20	14
11 x 5	CC-SP115	11-3/8	5-1/2	5-5/32	1/4	4	1/4	3	1-7/8	132	145	5-1/2	1.30	14
12 x 5	CC-SP125	12-3/8	5-1/2	5-5/32	1/4	4	1/4	3-3/8	1-7/8	145	160	5-1/2	1.37	14
8 x 6	CC-SP086	8-3/8	6-5/8	6-1/16	9/32	3	1/4	3-1/16	2	136	150	6-1/2	1.24	15
9 x 6	CC-SP096	9-3/8	6-5/8	6-1/16	9/32	3	1/4	3-5/8	2	154	169	6-1/2	1.37	15
10 x 6	CC-SP106	10-3/8	6-5/8	6-1/16	9/32	3	1/4	4-1/8	2	172	190	6-1/2	1.50	15
11 x 6	CC-SP116	11-3/8	6-5/8	6-1/16	9/32	4	1/4	3	2	190	209	6-1/2	1.58	15
12 x 6	CC-SP126	12-3/8	6-5/8	6-1/16	9/32	4	1/4	3-3/8	2	209	230	6-1/2	1.72	15
13 x 6	CC-SP136	13-3/8	6-5/8	6-1/16	9/32	4	1/4	3-5/8	2	227	250	6-1/2	1.85	15
14 x 6	CC-SP146	14-3/8	6-5/8	6-1/16	9/32	5	1/4	3	2	240	264	6-1/2	1.96	15
10 x 7	CC-SP107	10-3/4	7-7/8	7-1/16	5/16	3	5/16	4-1/8	2	241	266	7-1/2	2.30	12
11 x 7	CC-SP117	11-3/4	7-7/8	7-1/16	5/16	4	5/16	3	2	267	293	7-1/2	2.43	12
12 x 7	CC-SP127	12-3/4	7-7/8	7-1/16	5/16	4	5/16	3-3/8	2	292	321	7-1/2	2.65	12
13 x 7	CC-SP137	13-3/4	7-7/8	7-1/16	5/16	4	5/16	3-5/8	2	317	349	7-1/2	2.82	12
14 x 7	CC-SP147	14-3/4	7-7/8	7-1/16	5/16	5	5/16	3	2	343	377	7-1/2	3.02	12
15 x 7	CC-SP157	15-3/4	7-7/8	7-1/16	5/16	5	5/16	3-1/4	2	368	405	7-1/2	3.20	12
16 x 7	CC-SP167	16-3/4	7-7/8	7-1/16	5/16	6	5/16	2-7/8	2	393	432	7-1/2	3.37	12
10 x 8	CC-SP108	10-13/16	8-15/16	8-1/4	13/32	3	5/16	4-1/8	2-3/8	316	348	8-1/2	3.17	9
11 x 8	CC-SP118	11-13/16	8-15/16	8-1/4	13/32	4	5/16	3	2-3/8	349	384	8-1/2	3.42	9
12 x 8	CC-SP128	12-13/16	8-15/16	8-1/4	13/32	4	5/16	3-3/8	2-3/8	384	422	8-1/2	3.65	9
13 x 8	CC-SP138	13-13/16	8-15/16	8-1/4	13/32	4	5/16	3-5/8	2-3/8	417	459	8-1/2	3.88	9
14 x 8	CC-SP148	14-13/16	8-15/16	8-1/4	13/32	5	5/16	3	2-3/8	451	496	8-1/2	4.15	9
15 x 8	CC-SP158	15-13/16	8-15/16	8-1/4	13/32	5	5/16	3-1/4	2-3/8	484	533	8-1/2	4.35	9
16 x 8	CC-SP168	16-13/16	8-15/16	8-1/4	13/32	6	5/16	2-7/8	2-3/8	517	569	8-1/2	4.52	9
18 x 8	CC-SP188	18-13/16	8-15/16	8-1/4	13/32	6	5/16	3-1/8	2-3/8	586	645	8-1/2	5.07	9
20 x 8	CC-SP208	20-13/16	8-15/16	8-1/4	13/32	6	5/16	3-1/2	2-3/8	652	718	8-1/2	5.51	9