

CC-S® Low Profile Elevator Buckets

Heavy-Duty Agricultural CC Style Elevator Bucket

OVERVIEW

A range of heavy-duty low profile CC style elevator buckets designed to outperform other agricultural buckets by offering greater capacities, longer life, and cleaner discharges. Unique Iceberg® Edge design with stronger front lip and maximum material thickness.

4B's CC-S® low profile buckets are manufactured to mount on nominal projection less "one inch", for increased capacity. 4B conservatively uses water level to calculate usable capacity on our low profile buckets.

With the CC-S® series stackable design, there is the added benefit of substantial freight and storage space savings. The complete CC-S® range of 35 different sizes are molded from premium virgin white HDPE (nylon and urethane available) for ultimate strength and durability.

MATERIAL

- ▶ Virgin HDPE, Nylon or Urethane

TEMPERATURE RANGE

- ▶ HDPE: -120°F to 200°F
- ▶ Nylon: -60°F to 300°F
- ▶ Urethane: -60°F to 210°F

FEATURES

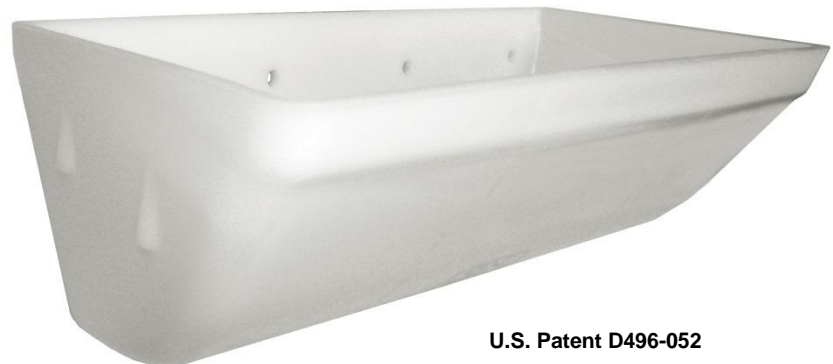
- ▶ Lower Back Height for Closer Vertical Spacing
- ▶ Light Weight, Tough & Flexible
- ▶ Reinforced Front Lip, Walls & Corners
- ▶ Stackable Design for Shipping & Storage

APPLICATIONS

- ▶ Non-Abrasive Free-Flowing Granular Materials: Grain, Feed, Seed, Food Products and Fertilizer

ACCESSORIES

- ▶ Elevator Bolts, Washers & Nuts
- ▶ Belting - Rubber, PVC, Steel Web
- ▶ Belt Fasteners / Splices
- ▶ Pulley Lagging



U.S. Patent D496-052



Standard
CC-S

Low Profile
CC-S

Get
4
Before

Get 4 Free
Buckets
To Try
Before
You Buy!

4B knows that buying elevator buckets can be a large investment and important part of your business. Some bucket manufacturers make all sorts of claims about their products. That is why 4B offers customers the opportunity to try our buckets for free. We know that once you see the results for yourself, you will be extremely satisfied.

To Get Your 4 Free Buckets, Call 309-698-5611
and Speak to a 4B Sales Engineer Today!

(Certain Bucket Styles Only, Other Restrictions May Apply)



CC-S® Low Profile Elevator Buckets

BETTER BY DESIGN



Developed as “the world’s first stackable CC-style polymer elevator bucket.” CC-S® buckets nest inside one another for reduced storage and shipping space. Freight cost savings are realized as the increased shipping density offers a lower freight classification.



Unique Iceberg® Edge heavy duty front lip with maximum material thickness and a tapered leading edge for a longer wear life. The triangular rigid design prevents bowing for a consistent discharge over the life of the bucket.

The tapered shape also delivers a low digging factor which means less material resistance, less material degradation and fewer forces on the bucket system.



CC-S® buckets are group bundled in individual plastic sleeves for easy transportation and storage.

Unlike cardboard cartons, the plastic sleeves are water-proof and deter rodent infestation.

Product Testing

Rigorous product testing on all of our material handling components is conducted at 4B's own in-house testing facilities. This ensures that we provide our customers with the best products in quality, durability and performance.



CC-S Discharge Video

Scan the QR code or visit
www.go4b.com/cc-s



Pictured on Right –
4B's Testing Elevator #2



CC-S® is a registered trademark of 4B Components, Ltd.
Information subject to change or correction. Dec 2011

CC-S® Low Profile Elevator Buckets

BETTER BY DESIGN

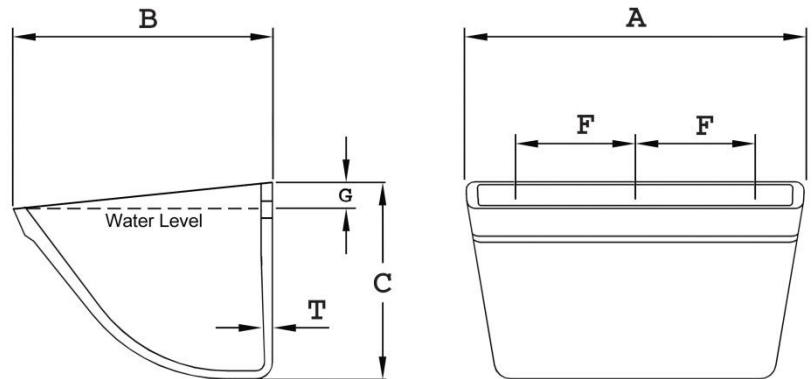
TECHNICAL SPECIFICATIONS CC-S® Low Profile Elevator Buckets

FREE

Elevator & Conveyor Engineering Design Service

Take advantage of 4B's free, guaranteed worldwide technical support service from a team of material handling engineers specializing in the design and upgrade of bucket elevators and conveyors.

Whether you want a new elevator design, or just want to increase the capacity and performance of your existing elevator, our engineers can help.



| Nominal Size (in.) | Part # | Dimension (in.) | | | | Standard Punching (in.) | | | | Water Level (cu. In.) | Minimum Spacing (in.) | HDPE Weight (lbs.) | Package Quantity |
|--------------------|------------|-----------------|--------------|--------------|-------------|-------------------------|-----------|---------------|--------------|-----------------------|-----------------------|--------------------|------------------|
| | | Length A | Projection B | Back Depth C | Thickness T | # Holes | Bolt Size | Hole Center F | Dist. Down G | | | | |
| 3 x 2 | CC-SP032LP | 3-5/16 | 2-1/2 | 3/4 | 3/16 | 2 | 1/4 | 1-3/4 | 1/4 | 6 | 1 | 0.18 | 48 |
| 4 x 3 | CC-SP043LP | 4-5/16 | 3-1/2 | 1-3/4 | 3/16 | 2 | 1/4 | 2-1/2 | 1/2 | 17 | 2 | 0.22 | 24 |
| 5 x 4 | CC-SP054LP | 5-1/4 | 4-1/2 | 2-3/4 | 1/4 | 2 | 1/4 | 3-3/16 | 3/4 | 37 | 3 | 0.41 | 18 |
| 6 x 4 | CC-SP064LP | 6-1/4 | 4-1/2 | 2-3/4 | 1/4 | 2 | 1/4 | 4-3/8 | 3/4 | 45 | 3 | 0.48 | 18 |
| 7 x 4 | CC-SP074LP | 7-1/4 | 4-1/2 | 2-3/4 | 1/4 | 3 | 1/4 | 2-11/16 | 3/4 | 53 | 3 | 0.54 | 18 |
| 6 x 5 | CC-SP065LP | 6-3/8 | 5-1/2 | 3-3/4 | 1/4 | 2 | 1/4 | 4-3/8 | 1 | 70 | 4 | 0.78 | 15 |
| 7 x 5 | CC-SP075LP | 7-3/8 | 5-1/2 | 3-3/4 | 1/4 | 3 | 1/4 | 2-11/16 | 1 | 83 | 4 | 0.86 | 15 |
| 8 x 5 | CC-SP085LP | 8-3/8 | 5-1/2 | 3-3/4 | 1/4 | 3 | 1/4 | 3-1/16 | 1 | 95 | 4 | 0.93 | 15 |
| 9 x 5 | CC-SP095LP | 9-3/8 | 5-1/2 | 3-3/4 | 1/4 | 3 | 1/4 | 3-5/8 | 1 | 107 | 4 | 1.04 | 15 |
| 10 x 5 | CC-SP105LP | 10-3/8 | 5-1/2 | 3-3/4 | 1/4 | 3 | 1/4 | 4-1/8 | 1 | 120 | 4 | 1.12 | 15 |
| 11 x 5 | CC-SP115LP | 11-3/8 | 5-1/2 | 3-3/4 | 1/4 | 4 | 1/4 | 3 | 1 | 132 | 4 | 1.22 | 15 |
| 12 x 5 | CC-SP125LP | 12-3/8 | 5-1/2 | 3-3/4 | 1/4 | 4 | 1/4 | 3-3/8 | 1 | 145 | 4 | 1.28 | 15 |
| 8 x 6 | CC-SP086LP | 8-3/8 | 6-5/8 | 4-3/4 | 9/32 | 3 | 1/4 | 3-1/16 | 1 | 136 | 5 | 1.14 | 16 |
| 9 x 6 | CC-SP096LP | 9-3/8 | 6-5/8 | 4-3/4 | 9/32 | 3 | 1/4 | 3-5/8 | 1 | 154 | 5 | 1.28 | 16 |
| 10 x 6 | CC-SP106LP | 10-3/8 | 6-5/8 | 4-3/4 | 9/32 | 3 | 1/4 | 4-1/8 | 1 | 172 | 5 | 1.40 | 16 |
| 11 x 6 | CC-SP116LP | 11-3/8 | 6-5/8 | 4-3/4 | 9/32 | 4 | 1/4 | 3 | 1 | 190 | 5 | 1.48 | 16 |
| 12 x 6 | CC-SP126LP | 12-3/8 | 6-5/8 | 4-3/4 | 9/32 | 4 | 1/4 | 3-3/8 | 1 | 209 | 5 | 1.62 | 16 |
| 13 x 6 | CC-SP136LP | 13-3/8 | 6-5/8 | 4-3/4 | 9/32 | 4 | 1/4 | 3-5/8 | 1 | 227 | 5 | 1.70 | 16 |
| 14 x 6 | CC-SP146LP | 14-3/8 | 6-5/8 | 4-3/4 | 9/32 | 5 | 1/4 | 3 | 1 | 240 | 5 | 1.80 | 16 |
| 10 x 7 | CC-SP107LP | 10-3/4 | 7-7/8 | 5-3/4 | 5/16 | 3 | 5/16 | 4-1/8 | 1-1/4 | 241 | 6 | 2.05 | 12 |
| 11 x 7 | CC-SP117LP | 11-3/4 | 7-7/8 | 5-3/4 | 5/16 | 4 | 5/16 | 3 | 1-1/5 | 267 | 6 | 2.16 | 12 |
| 12 x 7 | CC-SP127LP | 12-3/4 | 7-7/8 | 5-3/4 | 5/16 | 4 | 5/16 | 3-3/8 | 1-1/6 | 292 | 6 | 2.40 | 12 |
| 13 x 7 | CC-SP137LP | 13-3/4 | 7-7/8 | 5-3/4 | 5/16 | 4 | 5/16 | 3-5/8 | 1-1/7 | 317 | 6 | 2.57 | 12 |
| 14 x 7 | CC-SP147LP | 14-3/4 | 7-7/8 | 5-3/4 | 5/16 | 5 | 5/16 | 3 | 1-1/8 | 343 | 6 | 2.75 | 12 |
| 15 x 7 | CC-SP157LP | 15-3/4 | 7-7/8 | 5-3/4 | 5/16 | 5 | 5/16 | 3-1/4 | 1-1/9 | 368 | 6 | 2.92 | 12 |
| 16 x 7 | CC-SP167LP | 16-3/4 | 7-7/8 | 5-3/4 | 5/16 | 6 | 5/16 | 2-7/8 | 1-1/10 | 393 | 6 | 3.08 | 12 |
| 10 x 8 | CC-SP108LP | 10-13/16 | 8-15/16 | 6-3/4 | 13/32 | 3 | 5/16 | 4-1/8 | 1-1/11 | 316 | 7 | 2.88 | 12 |
| 11 x 8 | CC-SP118LP | 11-13/16 | 8-15/16 | 6-3/4 | 13/32 | 4 | 5/16 | 3 | 1-1/12 | 349 | 7 | 3.12 | 12 |
| 12 x 8 | CC-SP128LP | 12-13/16 | 8-15/16 | 6-3/4 | 13/32 | 4 | 5/16 | 3-3/8 | 1-1/13 | 384 | 7 | 3.35 | 12 |
| 13 x 8 | CC-SP138LP | 13-13/16 | 8-15/16 | 6-3/4 | 13/32 | 4 | 5/16 | 3-5/8 | 1-1/14 | 417 | 7 | 3.56 | 12 |
| 14 x 8 | CC-SP148LP | 14-13/16 | 8-15/16 | 6-3/4 | 13/32 | 5 | 5/16 | 3 | 1-1/15 | 451 | 7 | 3.80 | 12 |
| 15 x 8 | CC-SP158LP | 15-13/16 | 8-15/16 | 6-3/4 | 13/32 | 5 | 5/16 | 3-1/4 | 1-1/16 | 484 | 7 | 4.05 | 12 |
| 16 x 8 | CC-SP168LP | 16-13/16 | 8-15/16 | 6-3/4 | 13/32 | 6 | 5/16 | 2-7/8 | 1-1/17 | 517 | 7 | 4.17 | 12 |
| 18 x 8 | CC-SP188LP | 18-13/16 | 8-15/16 | 6-3/4 | 13/32 | 6 | 5/16 | 3-1/8 | 1-1/18 | 586 | 7 | 4.70 | 12 |
| 20 x 8 | CC-SP208LP | 20-13/16 | 8-15/16 | 6-3/4 | 13/32 | 6 | 5/16 | 3-1/2 | 1-1/19 | 652 | 7 | 5.10 | 12 |