



Electromechanical Alignment Sensor

Detects and Misalignment on Conveyor Belts



- The CBS2 is an electromechanical system to detect the misalignment of a conveyor belt.
- It operates a non-mercury tiltswitch when the belt is misaligned. Two outputs are given at 15° and 30° - they can be used as alarm and stop signals respectively.
- 2 types of contact roller are available

Mounted on a stainless steel bearing	stainless steel 304
or nylon cylinder	
Mounted on shaft	nylon cylinder
- The self-assembly adjustable support system is manufactured from stainless steel.
- An advantage of this system is the low contact force between the roller and the belt – simply the weight of the roller. It withstands prolonged contact without damage to the roller.
- The sensors are normally installed in pairs, one at each side of the machine, and up to 4 sensors for each CBS controller i.e. 2 at the drive end & 2 at the tension end.
- The sensors are designed for applications in ATEX areas by connection to the CBS2V0A but can also be connected directly to a PLC or a small interface relay.

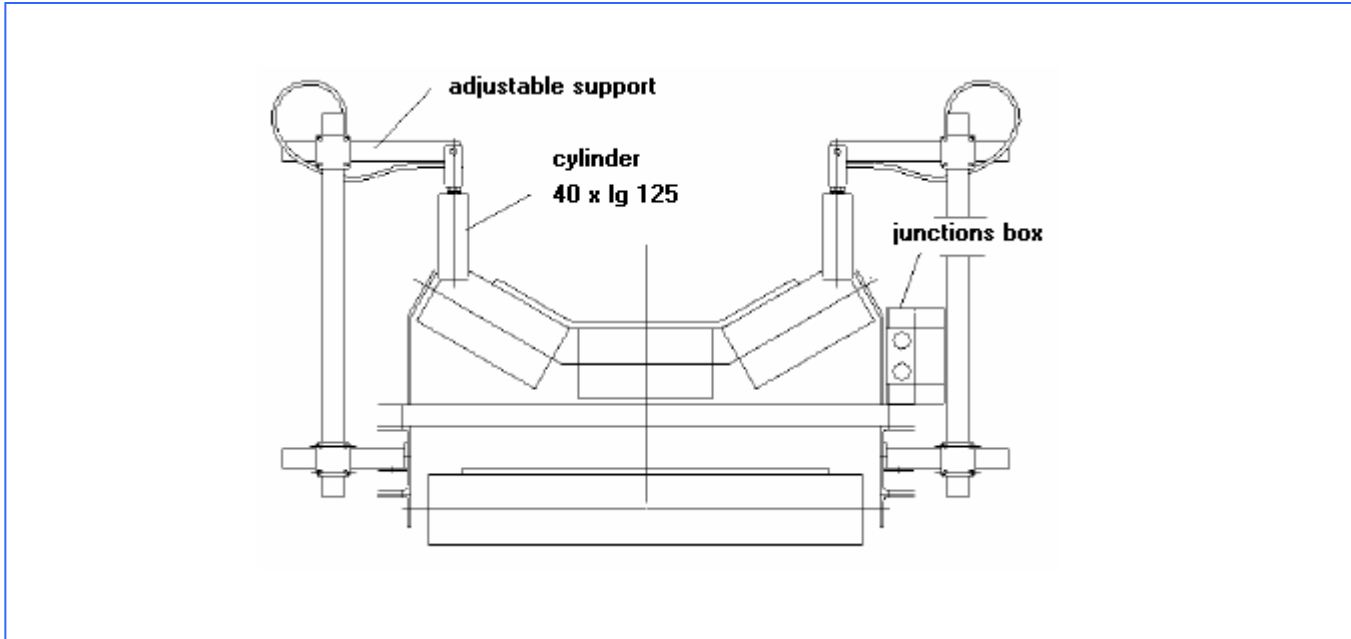
Detailed specification, wiring diagrams and installation/operating instructions available immediately upon request.



- Adjustable Stainless Steel Supports
- 15° Alarm and 30° Stop Conditions
- Ex II 1D Ex tD A20 Approved
- Low force of contact increases durability



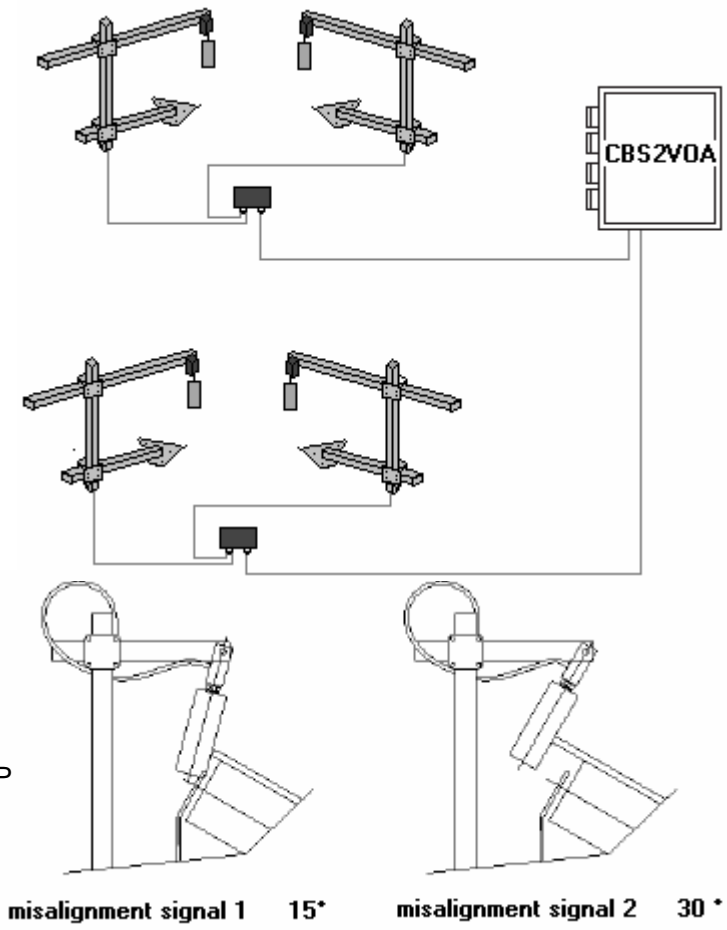
Please refer to instruction manual for correct installation. Information subject to change or correction. February 2006.



TECHNICAL SPECIFICATIONS

CBS2V0A

- Power Supply:** 110/230 VAC, 24VDC
- Rating:** 10VA
- Output:** Triac, normally closed above minimum input speed
Normally open at stopped motion
- Relays:** Voltage free changeover contacts rated 5A at 250 VAC, 60 VDC non-inductive
- Time Delay:** 0-30 seconds (individually adjustable for alarm and shutdown)
- Tilt Switch:** Fully sealed unit with no serviceable parts. Supplied with 6 ft. cable (may be extended as required)
- Weight:** 3 lbs.
- Dimensions:** 246mm x 188mm x 102mm HxLxP
- Protection:** IP66
- Approval:** Ex II 1D Ex tD A20 IP66 T125C
Tamb -20 +50C
- Cable Entry:** 2 holes dia. 28mm
- Fixing Centers:** 222mm x 102mm



Please refer to instruction manual for correct installation. Information subject to change or correction. February 2006.