

Elevator Belt Fasteners BC Series Fasteners for Textile and Steel Web Belts

APPLICATION

Securely fastens belting on bucket elevators and conveyors using steel web belts.

METHOD OF OPERATION

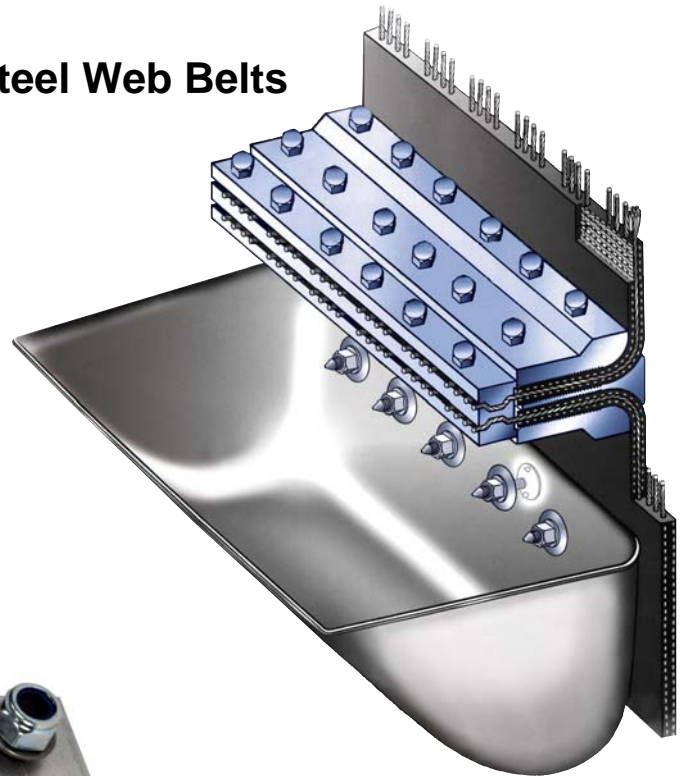
The BC fastener is a heavy duty mechanical clamping device with a three piece extruded aluminum construction and vice grip action between serrated joints. BC2, BC3, and BC4 have an additional three piece section designed with a “vice grip lock” to securely grip the steel cords within a steel web belt.

FEATURES

- ▶ 4 Versions for Belts up to 2,500 kN/m
- ▶ Secured by High Tensile Bolts & Self Locking Nuts
- ▶ Extruded Aluminum and Machined Steel Construction

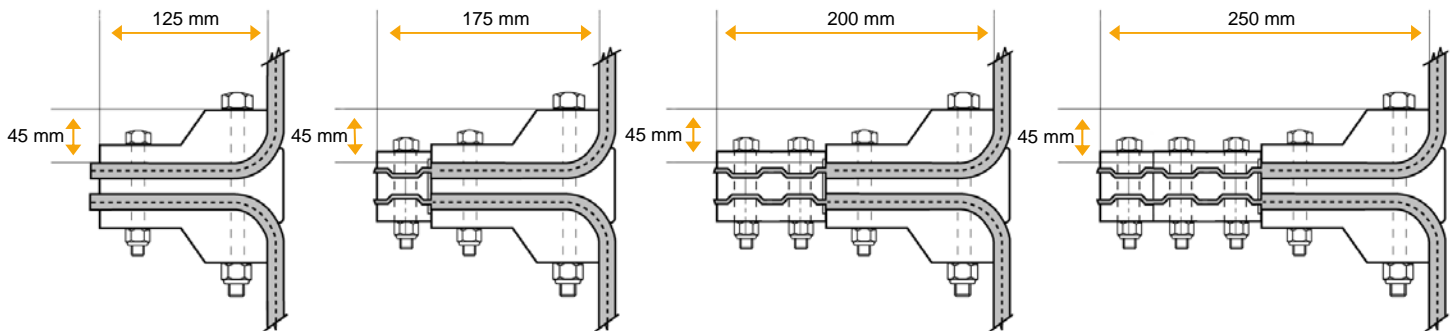
PART NUMBERS/ACCESSORIES

- ▶ SWBFBC1 BC1 Fastener
- ▶ SWBFBC2 BC2 Fastener
- ▶ SWBFBC3 BC3 Fastener
- ▶ SWBFBC4 BC4 Fastener



BC1

FREE
Elevator & Conveyor
Engineering
Design Service



TECHNICAL SPECIFICATIONS

BC Series Fasteners

BC1 - Textile Belts	BC2 - Steel Web Belts	BC3 - Steel Web Belts	BC4 - Steel Web Belts
Belt Strength 1,400 kN/m max. up to 800 PIW Belt	Belt Strength 1,600 kN/m max. up to 910 PIW Belt	Belt Strength 2,000 kN/m max. up to 1,100 PIW Belt	Belt Strength 2,500 kN/m max. up to 1,400 PIW Belt

Detailed specification, wiring diagrams and installation/operating instructions available immediately upon request.

Please refer to instruction manual for correct installation. Information subject to change or correction. March 2008.