



AD DIN Elevator Buckets

DIN Style "NYRIM" Super Tough Elevator Bucket

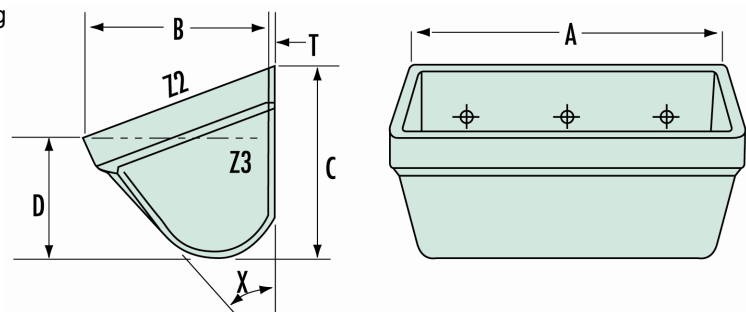


APPLICATION

This industrial duty super tough elevator bucket is manufactured from "Nyrin" which is a high-grade nylon/rubber reaction molding. These unique properties offer the bucket the ability to withstand maximum resistance to impact and abrasion. Can be used with many abrasive and corrosive industrial materials, such as: AGGREGATES, CEMENT, GYPSUM, COAL, SAND, ETC. The "AD" bucket can be used with elevator belting or chain. The reduced weight of the bucket, compared to a steel fabricated type, enables extended chain life. The "Nyrin" material is corrosion resistant which also allows for longer bucket life. The "AD" bucket design allows for high capacity capabilities.

FEATURES

- AD DIN
- DIN 15234 in 'Nyrin'
- High capacity - suitable for industrial applications including all aggregates. Can be used with chain or belt. Bolt holes drilled to customer's specification.



Part Number	Nominal Size	A	B	C	D	T	Xo	CAPCACITY (in3)		
								lbs	Z2	Z3
AD300	14 x 8	14-1/4	8	8-1/2	4-1/1	1/2	43	3.75	412	252
AD400	16 x 9	16-5/8	9-3/4	11-1/4	6-1/8	3/8	39	6.00	874	549
AD500	20 x 10	20-5/8	10-3/4	12-5/8	6-3/4	1/2	39	8.40	1415	915
AD630	25 x 12	25-3/4	12	14-1/4	7-3/4	1/2	39	15.00	2196	1427

Please refer to instruction manual for correct installation. Information subject to change or correction. May 2007.