

Drop Forged Chain

BETTER BY DESIGN

Bolt 'N' Go™

Drop Forged Chain Link & Flight Assembly Made Easy!

APPLICATION

The Bolt 'N' Go flight system is a revolutionary assembly method for drop forged chain.

METHOD OF OPERATION

Link and flight assembly made easy by using a standard bolt and lock nut with a high strength hollow pin. There are no circlips required, no welding required on the flights, no need to remove chain from the conveyor for installation, and no issues with strength. Just bolt the links and the flights together. It's easy, simple and reliable!

FEATURES

- ▶ Reduces Downtime & Maintenance Costs
- ▶ Quick and Easy Assembly of Links & Flights
- ▶ Bolt On Flight Replacement (No Welding)
- ▶ Forged and Hardened Chain Links
- ▶ FDA Approved Nylon Flights
- ▶ Quieter Operation - Compared With Steel Flights
- ▶ Reduced Bending, Breaking or Jamming with Nylon Flights
- ▶ Less Machine Power Required - Nylon Flights Weigh Less Than Steel

COMPATIBILITY

4B drop forged chain is interchangeable with many industry standard types, including:
102-Z, 142-Z, 142-V, 102-STD, 142-STD, 142-HVY,
10160/R, 14218, 14226, GB102NAL, GB142NAL,
GB142HAL



Bolt 'N' Go System
U.S. Patent No. 7,080,728
Canadian Patent No. 2,548,660
Mexican Patent No. 272,056



Detailed View of Bolt 'N' Go
Showing Assembly Method

FREE

Elevator & Conveyor Engineering Design Service

Take advantage of 4B's free, guaranteed worldwide technical support service from a team of material handling engineers specializing in the design and upgrade of bucket elevators and conveyors.

Whether you want a new elevator design, or just want to increase the capacity and performance of your existing elevator, our engineers can help.



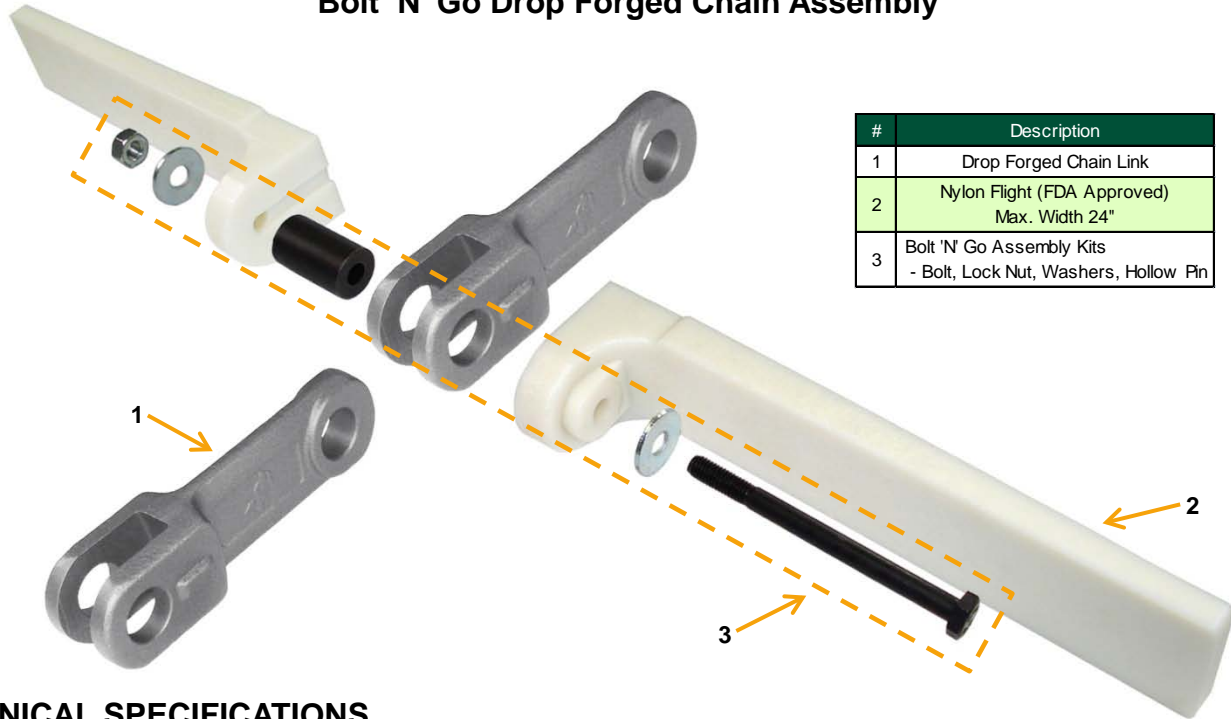
Product Videos -

www.go4b.com/usa/forged-chain.asp

Drop Forged Chain

BETTER BY DESIGN

Bolt 'N' Go Drop Forged Chain Assembly

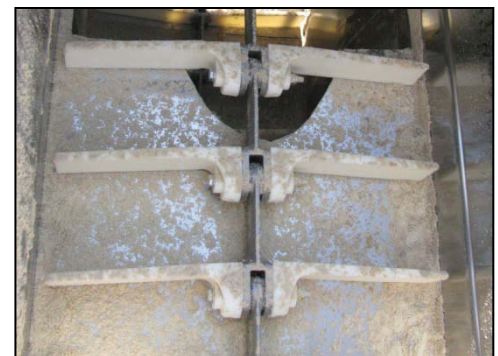
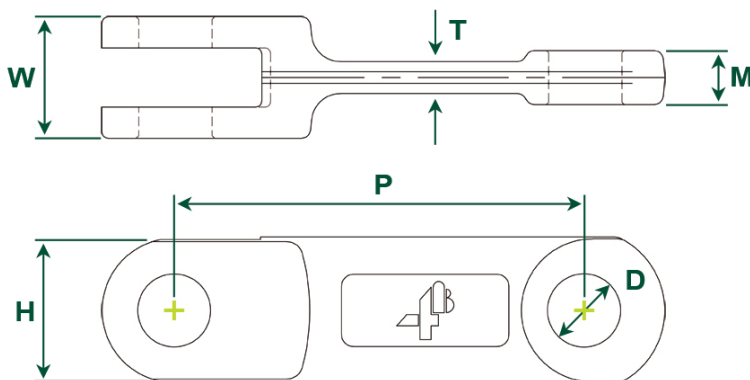


#	Description
1	Drop Forged Chain Link
2	Nylon Flight (FDA Approved) Max. Width 24"
3	Bolt 'N' Go Assembly Kits - Bolt, Lock Nut, Washers, Hollow Pin

TECHNICAL SPECIFICATIONS

Bolt 'N' Go - Drop Forged Chain

Link	P	H	T	W	M	D	Weight	Minimum Breaking Load	Case Hardness	Case Depth	Core Hardness
4B102NA	102 mm	36 mm	7 mm	28 mm	12 mm	14 mm	0.38 kg	180 KN 40,400 Lbs	Rockwell C57	0.5 mm	Rockwell C40
4B125NA	125 mm	35 mm	10 mm	36 mm	15 mm	16 mm	0.70 kg	200 KN 44,900 Lbs	Rockwell C57	0.6 mm	Rockwell C40
4B142NA	142 mm	50 mm	12 mm	42 mm	18.7 mm	25 mm	1.08 kg	300 KN 67,500 Lbs	Rockwell C57	0.7 mm	Rockwell C40
4B142HA	142 mm	50 mm	16.5 mm	62 mm	28.5 mm	25 mm	1.76 kg	450 KN 101,000 Lbs	Rockwell C57	0.7 mm	Rockwell C40
4B150NA	150 mm	49 mm	13 mm	36 mm	15 mm	25 mm	1.20 kg	300 KN 67,500 Lbs	Rockwell C57	0.7 mm	Rockwell C40
4B160NA	160 mm	44.5 mm	13 mm	42 mm	19.5 mm	20 mm	1.30 kg	350 KN 78,700 Lbs	Rockwell C57	0.8 mm	Rockwell C40
4B200NA	200 mm	60 mm	18 mm	68 mm	30 mm	30 mm	2.85 kg	600 KN 135,000 Lbs	Rockwell C57	1.0 mm	Rockwell C40



Feed Mill Application Using Bolt 'N' Go

Please refer to instruction manual for correct installation.
Information subject to change or correction. Dec 2010