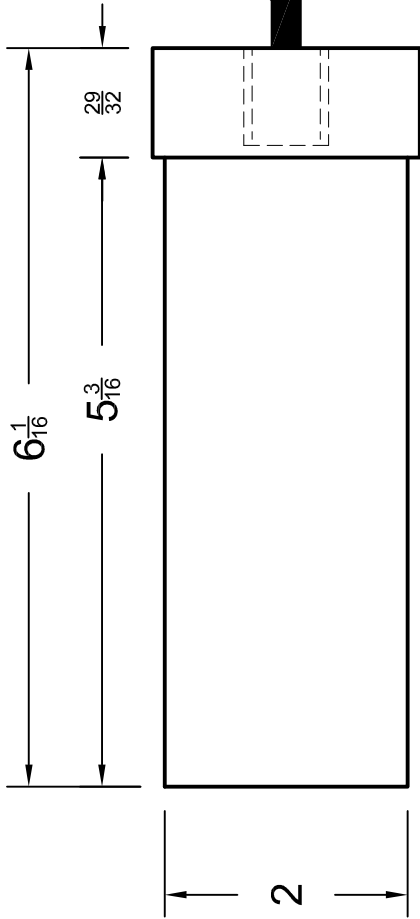


**Note:**

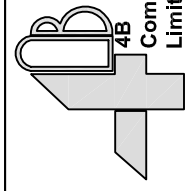
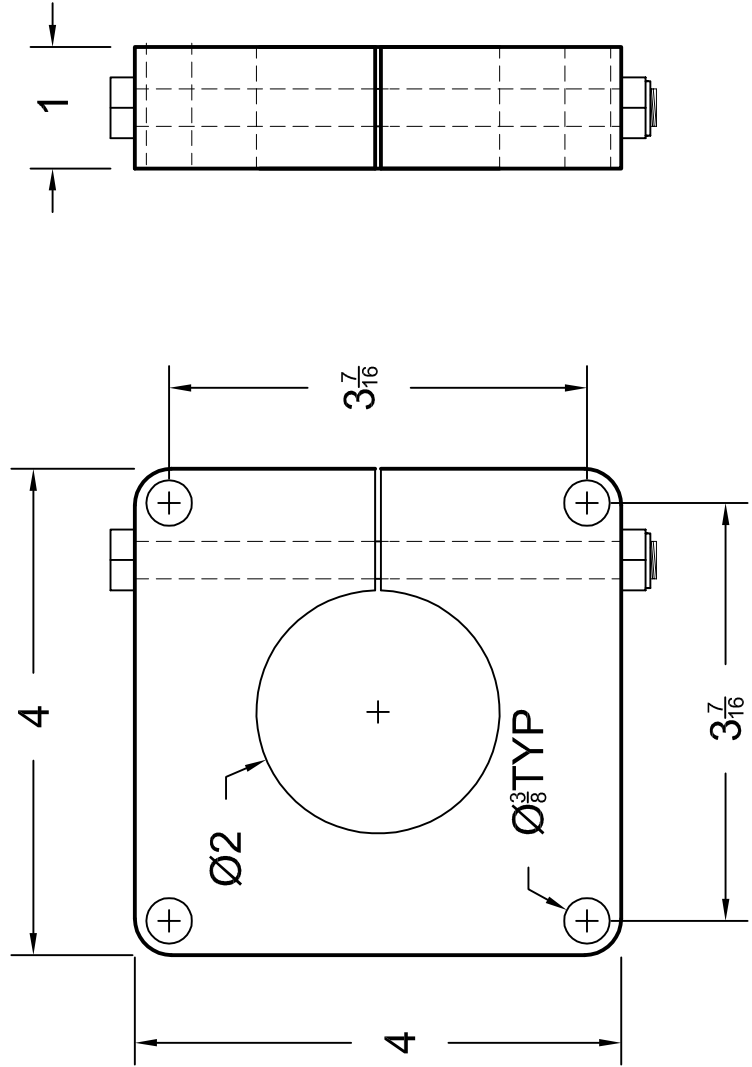
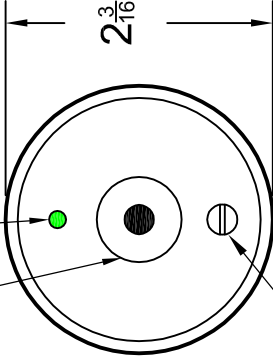
All dimensions in inches.



9 ft Long Cable  
6 x 22 AWG Conductors  
5.5 mm Overall Jacket diameter

1/2" NPT  
THREADED ENTRY

LED



www.go4b.com

729 Sabrina Drive - East Peoria, IL 61611 USA  
Tel: 309-698-5611 Fax: 309-698-5615 Email: 4b-usa@go4b.com

Drawn By: DAVID BYARD

Checked By: JOHNNY WHEAT  
Date: 09/25/2009

Customer:

N/A

Description:

WDA3V34C MOTION ALIGNMENT  
SENSOR WITH INCLUDED MOUNTING  
BLOCK, 12-24 VDC CSA APPROVED  
CLASS II DIV I GROUPS E, F, AND G.

Sales Order #

N/A

Drawing #

WDA3V34C

Scale:

NTS

Rev:

0

Change Note	Rev	Date	Drawn	Check	Brief Description